



SERVICE PARTS LIST

BULLETIN NO.
54-06-2878

SPECIFY CATALOG NO. AND SERIAL NO. WHEN ORDERING PARTS		REVISED BULLETIN	DATE
3/8" PISTOL GRIP DRILL		54-06-2877	Sept. 2013
CATALOG NO.	0201-20	WIRING INSTRUCTION See Pages 2 & 3	
STARTING SERIAL NO.	067D		

EXAMPLE:
Component Parts (Small #) Are Included When Ordering The Assembly (Large #).

★ = Part number change from previous service parts list.

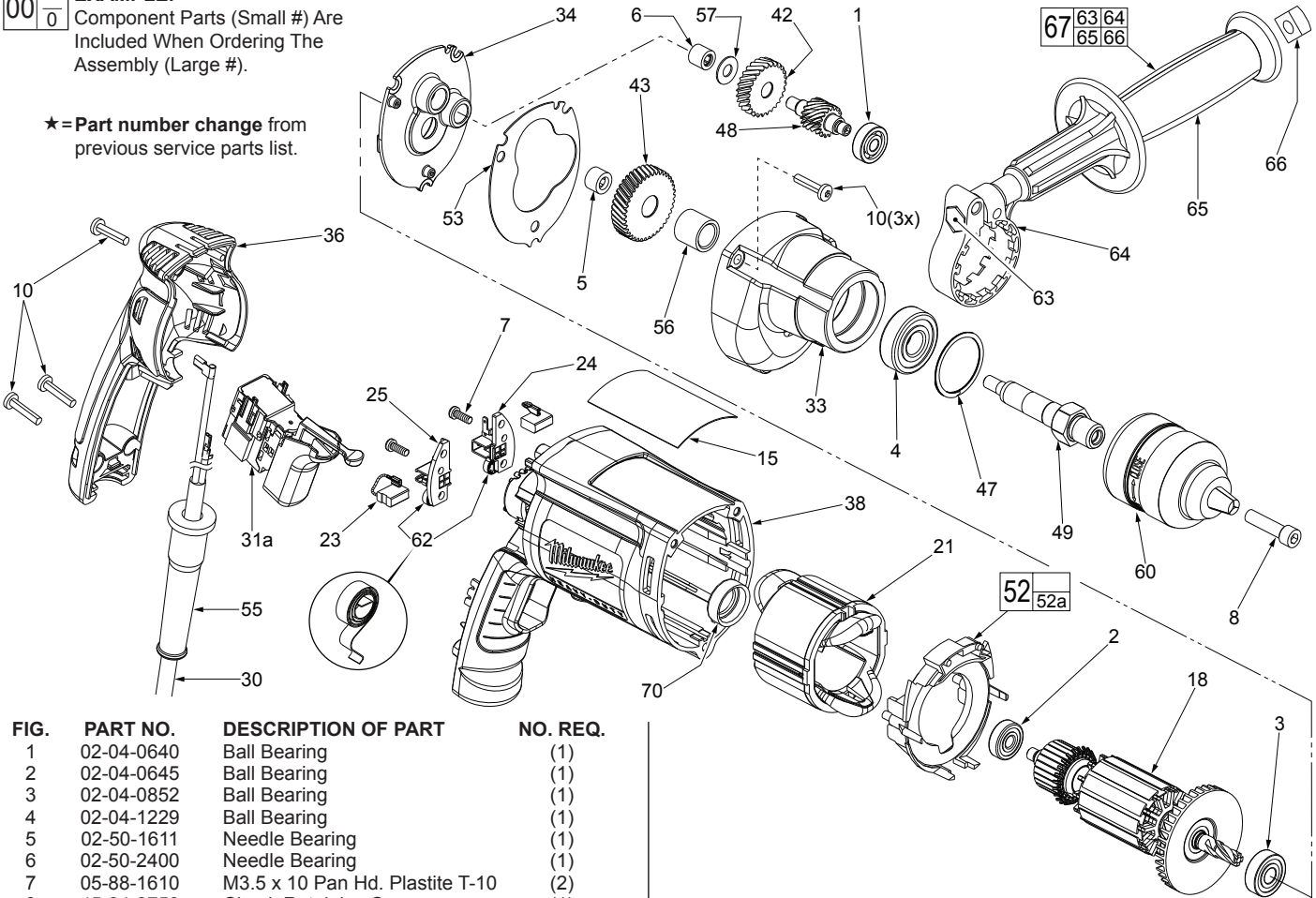


FIG.	PART NO.	DESCRIPTION OF PART	NO. REQ.
1	02-04-0640	Ball Bearing	(1)
2	02-04-0645	Ball Bearing	(1)
3	02-04-0852	Ball Bearing	(1)
4	02-04-1229	Ball Bearing	(1)
5	02-50-1611	Needle Bearing	(1)
6	02-50-2400	Needle Bearing	(1)
7	05-88-1610	M3.5 x 10 Pan Hd. Plastite T-10	(2)
8	45-04-0750	Chuck Retaining Screw	(1)
10	06-82-7275	7-18 x 3/4 Slotted Plastite T-20	(6)
15	12-99-2565	Service Nameplate	(1)
18	16-10-2215	Armature	(1)
21	18-07-7210	Field	(1)
23	22-18-1310	Brush Assembly	(2)
24	22-20-0090	Left Brush Holder	(1)
25	22-20-0095	Right Brush Holder	(1)
30	22-64-6510	Cord Set	(1)
31a	23-66-2605	Switch (Defond) See page 2 wiring	(1)
31b	23-66-2585	Switch (Marquardt) See page 3 wiring	(1)
33	28-14-2390	Gearcase	(1)
34	28-28-2320	Diaphragm	(1)
36	31-15-2010	Handle Half	(1)
★ 38	31-50-0528	Motor Housing	(1)
42	32-40-0100	Intermediate Gear	(1)
43	32-75-0115	Spindle Gear	(1)
47	34-80-2300	Retaining Ring	(1)
48	36-66-0125	Intermediate Shaft	(1)
49	38-50-5750	Spindle	(1)
52	42-14-0460	Baffle Assembly	(1)
52a	45-30-0030	Slug (Not shown)	(2)
53	43-44-0985	Gasket	(1)
55	44-76-0210	Cord Protector	(1)
56	45-36-1095	Spindle Spacer	(1)
57	45-88-7990	Thrust Washer	(1)
60	48-66-1530	3/8" Two Sleeve Keyless Chuck	(1)
62	23-52-1610	Brush Spring	(2)
63	06-75-2850	3/8-16 x 5-1/2" Hex Cap Screw	(1)
64	42-68-0800	Side Handle Clamp	(1)
65	43-62-0845	Side Handle	(1)
66	06-54-0325	3/8-16 Square Nut	(1)
67	49-15-0265	Side Handle Assembly	(1)

FIG.	PART NO.	DESCRIPTION OF PART	NO. REQ.
★ 70	43-86-0125	Bearing Cup	(1)
	23-94-0490	White Leadwire Assy. (See pages 2 & 3)	(1)
	23-94-0495	Red Leadwire Assy. (See pages 2 & 3)	(1)
	31-53-0205	Lock Button Plug (Not Shown)	(1)

LUBRICATION (Type "Y" Grease, No. 49-08-5270)

- Place 5 gm. (.02 oz.) of grease on top of the inserted intermediate ball bearing (1) and on the intermediate pinion (48).
- After inserting all gearing, place 13 gm. (.46 oz.) of grease at the armature pinion location in the gearcase (33) and fill to the top of the intermediate gear (42). Grease must contact at least 25% of the intermediate gear teeth.

Before assembly, lightly coat all press fit areas with lightweight spindle oil.

FIG. NOTES:

- 4,43 Support the output ball bearing inside the gearcase before pressing off the spindle gear.
- 5,6 Needle bearings to be pressed flush to .010 under flush from the end which has the vendors identification.

MILWAUKEE ELECTRIC TOOL CORPORATION
13135 W. LISBON RD., BROOKFIELD, WI 53005
Dwg. 1