

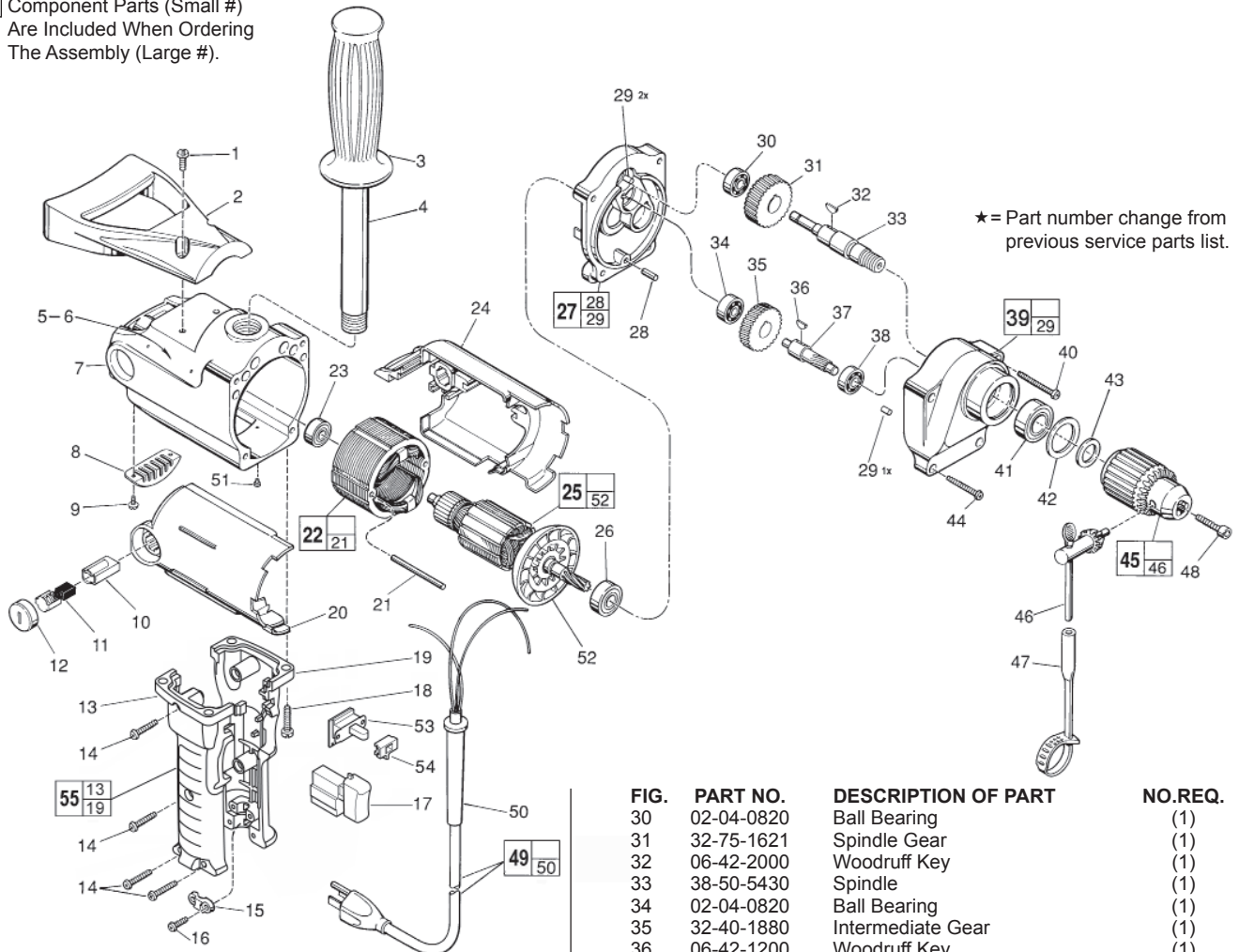


SERVICE PARTS LIST

BULLETIN NO.
54-10-0107

| | | | |
|---|---------------------------------|---|-----------|
| SPECIFY CATALOG NO. AND SERIAL NO. WHEN ORDERING PARTS | | REVISED BULLETIN | DATE |
| 1/2" REVERSING COMPACT DRILL | | 54-10-0106 | Feb. 2012 |
| CATALOG NO. 1610-1 | STARTING SERIAL NO. 700C | WIRING INSTRUCTION 58-01-0537 | |

EXAMPLE:
Component Parts (Small #)
Are Included When Ordering
The Assembly (Large #).



★ = Part number change from previous service parts list.

| FIG. | PART NO. | DESCRIPTION OF PART | NO.REQ. |
|------|----------|---|---------|
| | 1 | 06-82-8908 12-24 x 3/4" Pan Hd. Slit. Tapt. T-27 | (2) |
| | 2 | 31-44-1550 Spade Handle | (1) |
| | 3 | 43-62-0246 Handle Grip | (1) |
| | 4 | 43-62-0122 Pipe Handle | (1) |
| | 5 | 12-99-3150 Nameplate Blank | (1) |
| ★ | 6 | 06-95-0500 4-40 x 5/16" Tapt. Stick Screw | (2) |
| | 7 | 26-50-6300 Motor Housing | (1) |
| | 8 | 44-66-5510 Cover Plate | (1) |
| | 9 | 06-82-5270 6-32 x 1/4" Pan Hd. Slit. Tapt. T-15 | (2) |
| | 10 | 22-20-0660 Brush Tube | (2) |
| | 11 | 22-18-0680 Carbon Brush Assembly | (2) |
| | 12 | 23-44-0210 Brush Retaining Screw | (2) |
| ★ | 13 | Right Hand Handle Half | (1) |
| ★ | 14 | 06-82-7326 8-16 x 1" Plastite T-20 Screw | (4) |
| | 15 | 31-17-0155 Cord Clamp | (1) |
| | 16 | 06-82-7270 8-16 x 5/8" Slit. Pan Hd. Plast. T-20 | (2) |
| ★ | 17 | 23-66-0115 On-Off Switch | (1) |
| | 18 | 06-82-5382 1/4-20 x 3/4" Pan Hd. Slit. Taptite T-27 | (4) |
| ★ | 19 | Left Hand Handle Half | (1) |
| | 20 | 23-16-1275 Motor Insulator Right Half | (1) |
| | 21 | 06-65-1230 Grooved Pin | (2) |
| | 22 | 18-50-0050 120 V. Field | (1) |
| | 23 | 02-04-0847 Ball Bearing | (1) |
| | 24 | 23-16-1276 Motor Insulator - Left Half | (1) |
| | 25 | 16-50-1050 120 V. Armature | (1) |
| | 26 | 02-04-1050 Ball Bearing | (1) |
| | 27 | 28-28-1660 Diaphragm Assembly | (1) |
| | 28 | 06-65-0625 3/16 x 1/2" Groove Pin | (1) |
| | 29 | 45-30-0060 Bearing Retaining Slug | (3) |

| FIG. | PART NO. | DESCRIPTION OF PART | NO.REQ. |
|------|----------|--|---------|
| | 30 | 02-04-0820 Ball Bearing | (1) |
| | 31 | 32-75-1621 Spindle Gear | (1) |
| | 32 | 06-42-2000 Woodruff Key | (1) |
| | 33 | 38-50-5430 Spindle | (1) |
| | 34 | 02-04-0820 Ball Bearing | (1) |
| | 35 | 32-40-1880 Intermediate Gear | (1) |
| | 36 | 06-42-1200 Woodruff Key | (1) |
| | 37 | 36-66-2051 Intermediate Shaft | (1) |
| | 38 | 02-04-0820 Ball Bearing | (1) |
| | 39 | 28-14-1705 Gear Case Assembly | (1) |
| | 40 | 06-82-7784 10-24 x 1-7/16" Tapt. T-27 | (2) |
| | 41 | 02-04-1567 Ball Bearing | (1) |
| | 42 | 34-80-2500 Retaining Ring | (1) |
| | 43 | 45-88-0330 Chuck Washer | (1) |
| | 44 | 06-82-7752 10-24 x 1-3/16" Taptite Sem.T-27 | (2) |
| | 45 | 48-66-1381 1/2" Reversing Chuck | (1) |
| | 46 | 48-66-3280 Chuck Key | (1) |
| | 47 | 48-66-4040 Key Holder | (1) |
| | 48 | 06-75-3150 1/4-20 x 1" L.H. Skt. Hd. Cap Screw | (1) |
| ★ | 49 | 22-64-1246 Cord Set | (1) |
| | 50 | 44-76-0150 Cord Protector | (1) |
| | 51 | 06-95-5150 6-32 x 1/4" Hex Hd. Tapt. Sems | (1) |
| | 52 | 22-84-0660 Fan | (1) |
| ★ | 53 | 23-66-2516 Fwd./Rev. Switch | (1) |
| ★ | 54 | 43-72-0220 Interlock | (1) |
| ★ | 55 | 31-44-1493 Handle Set | (1) |
| | | 10-98-5986 Warning Label | (1) |
| ★ | | 10-98-5982 French/Spanish Warning Label | (1) |

FIG. LUBRICATION
39 5-1/2 Oz. Type "E" Grease, 49-08-4122.

MILWAUKEE ELECTRIC TOOL CORPORATION
13135 W. LISBON RD., BROOKFIELD, WI 53005
Drwg. 5