



SERVICE PARTS LIST

BULLETIN NO.
54-06-2440

SPECIFY CATALOG NO. AND SERIAL NO. WHEN ORDERING PARTS		REVISED BULLETIN	DATE
12 Volt Grease Gun			Dec. 2011
CATALOG NO. 2446-20	STARTING SERIAL NO. C39A	WIRING INSTRUCTION See Reverse Side	

EXAMPLE:
00 0 Component Parts (Small #) Are Included
When Ordering The Assembly (Large #).

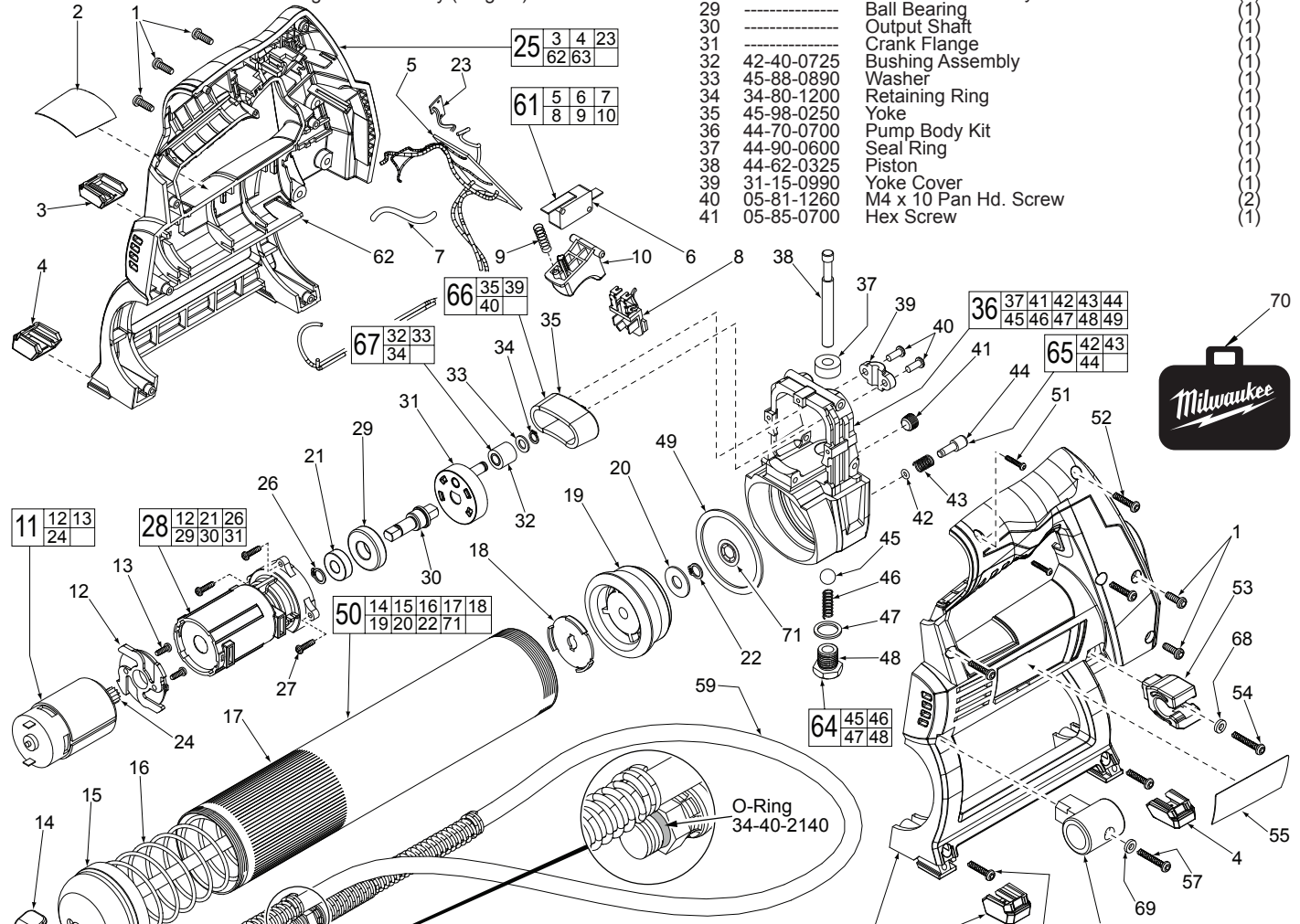


FIG.	PART NO.	DESCRIPTION OF PART	NO. REQ.
1	05-74-0985	M4 x 12 Pan Hd. Taptite T-20 Screw	(5)
2	10-15-1390	Warning Label	(1)
3	44-52-1060	Pad - Left Front and Right Rear (Set of 2)	(1)
4	44-52-1070	Pad - Left Rear and Right Front (Set of 2)	(1)
5	-----	PCBA with wiring	(1)
6	23-66-2885	Switch	(1)
7	-----	18 Gauge Red Wire	(1)
8	-----	Battery Connector Block	(1)
9	40-50-4520	Spring	(1)
10	45-72-0300	Trigger	(1)
11	23-30-0600	Motor Assembly	(1)
12	-----	Motor Mount Plate	(1)
13	05-81-0205	M3 x 6 Pan Hd. Screw	(2)
14	44-94-0650	Plunger Rod with Rod	(1)
15	-----	Barrel Tube Cover	(1)
16	-----	Barrel Spring	(1)
17	-----	Barrel	(1)
18	44-66-1525	Stamping Plate	(1)
19	45-06-0890	Rubber Seal	(1)
20	45-88-2030	Washer	(1)
21	-----	Spacer	(1)
22	44-86-1380	Retaining Ring	(1)
23	-----	Fuel Gauge	(1)
24	-----	Motor Pinion	(1)
25	31-50-2700	Housing Assembly Kit	(1)
26	44-86-1380	Retaining Ring	(1)
27	05-81-1220	M3 x 12 Pan Hd. Screw	(3)

FIG.	PART NO.	DESCRIPTION OF PART	NO. REQ.
28	14-29-0600	Gearcase Assembly	(1)
29	-----	Ball Bearing	(1)
30	-----	Output Shaft	(1)
31	-----	Crank Flange	(1)
32	42-40-0725	Bushing Assembly	(1)
33	45-88-0890	Washer	(1)
34	34-80-1200	Retaining Ring	(1)
35	45-98-0250	Yoke	(1)
36	44-70-0700	Pump Body Kit	(1)
37	44-90-0600	Seal Ring	(1)
38	44-62-0325	Piston	(1)
39	31-15-0990	Yoke Cover	(1)
40	05-81-1260	M4 x 10 Pan Hd. Screw	(2)
41	05-85-0700	Hex Screw	(1)

FIG.	PART NO.	DESCRIPTION OF PART	NO. REQ.
42	34-40-0375	O-Ring	(1)
43	40-50-1660	Spring	(1)
44	42-42-1070	Air Release Button	(1)
45	02-02-0265	3/8" Ball	(1)
46	40-50-1685	Spring	(1)
47	45-88-0905	Copper Washer	(1)
48	45-04-1010	Plug Screw	(1)
49	43-44-1100	Rubber Gasket	(1)
50	30-06-0200	Barrel Assembly	(2)
51	06-82-2385	M2.6 x 14 Pan Hd. T-8 Screw	(1)
52	06-82-7470	6 x 11/16" Pan Hd. Plastite T-15 Screw	(5)
53	43-75-0500	Grease Hose Holster	(1)
54	05-81-1275	M4 x 20 Pan Hd. Taptite T-20 Screw	(1)
55	12-20-2446	Service Nameplate Kit	(1)
56	42-90-0575	Coupler Holster	(1)
57	06-82-7475	6 x 7/8" Pan Hd. Plastite T-15 Screw	(1)
58	42-90-0700	Coupler Assembly	(1)
59	14-37-0300	Grease Hose Assembly	(1)
61	23-66-2890	Switch Assembly	(1)
62	-----	Left Housing Halve	(1)
63	-----	Right Housing Halve	(1)
64	45-04-1030	Plug Screw Kit	(1)
65	42-42-1080	Air Release Kit	(1)
66	45-98-0300	Yoke Kit	(1)
67	42-40-1150	Bushing Kit	(1)
68	-----	Spring Washer	(1)
69	-----	Washer	(1)
70	42-55-2446	Soft Carrying Case	(1)
71	44-86-1400	Self-Locking Retaining Ring	(1)

MILWAUKEE ELECTRIC TOOL CORPORATION
13135 W. Lisbon Road, Brookfield, WI 53005
Drwg. 4