



SERVICE PARTS LIST

BULLETIN NO.
54-24-2720

SPECIFY CATALOG NO. AND SERIAL NO. WHEN ORDERING PARTS		REVISED BULLETIN	DATE
M18™ FUEL™ 1" SDS Plus Rotary Hammer			Oct. 2014
CATALOG NO.	2712-20	STARTING SERIAL NO.	G17A
		WIRING INSTRUCTION	SEE PAGE 6

EXAMPLE:
Component Parts (Small #) Are Included
When Ordering The Assembly (Large #).

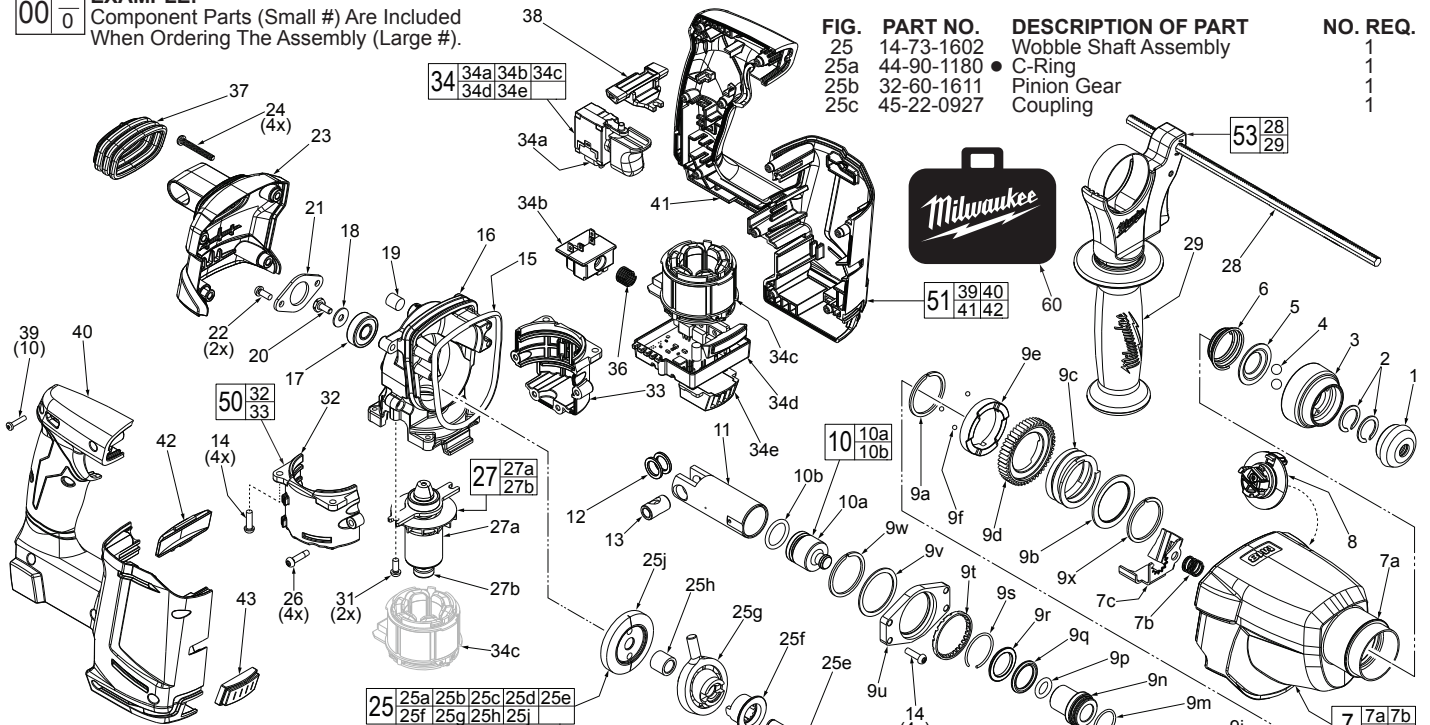


FIG.	PART NO.	DESCRIPTION OF PART	NO. REQ.
25	14-73-1602	Wobble Shaft Assembly	1
25a	44-90-1180	C-Ring	1
25b	32-60-1611	Pinion Gear	1
25c	45-22-0927	Coupling	1

FIG.	PART NO.	DESCRIPTION OF PART	NO. REQ.
1	42-52-5262	Dust Cap	1
2	44-90-0014	C-Ring	1
3	42-76-5264	Chuck Sleeve Assembly	1
4	02-02-0275	7mm Steel Ball	2
5	42-36-0191	Ball Plate	1
6	40-50-5262	Conical Spring	1
7	31-40-0601	Gearcase Assembly	1
7a	-----	Gearcase with Bearings and Seal	1
7b	40-50-0870	Spring	1
7c	44-90-1011	Locking Plate	1
8	44-10-5263	Shift Lever with O-Ring	1
9	45-22-0851	Spindle Sleeve Assembly	1
9a	44-90-0216	C-Ring	1
9b	45-88-2115	Washer	1
9c	40-50-1720	Clutch Spring	1
9d	32-75-1831	2nd Stage Gear	1
9e	42-70-0781	Clutch Plate	1
9f	02-02-1230	Steel Ball	3
9g	38-50-0776	Spindle	1
9h	45-88-2100	Stop Washer	1
9j	34-40-1410	O-Ring	1
9k	45-08-0650	Striker (Anvil)	1
9m	34-40-1425	O-Ring	1
9n	45-22-0870	Sleeve (Ram Catcher)	1
9p	34-40-1450	O-Ring	1
9q	34-40-1440	O-Ring	1
9r	42-76-1001	Washer	1
9s	44-90-1026	C-Ring	1
9t	02-80-1751	Spindle Bearing	1
9u	42-36-2191	Bearing Bar Mounting Bracket	1
9v	45-88-5231	Washer	1
9w	44-90-1031	Spiral Retaining Ring	1
9x	44-90-0215	C-Ring	1
10	44-82-5263	Striker and O-Ring Assembly	1
10a	-----	Striker (Ram)	1
10b	34-40-1511	O-Ring	1
11	44-62-5263	Piston	1
12	45-88-5200	Washer	2
13	44-60-5262	Wrist Pin	1
14	05-81-1337	M4 x 14mm Pan Hd. Taptite Screw	8
15	43-44-1375	Gasket	1
16	31-15-0301	Crankcase	1
17	02-04-5386	Ball Bearing	1
18	45-88-1337	Washer	1
19	43-84-0300	Felt Plug	1
20	05-74-1020	9mm Hex Screw	1
21	42-92-1626	Bearing Retainer	1
22	05-81-1338	M4 x 10mm Screw	2
23	31-15-1301	Gear Housing Cover	1
24	05-88-1525	M4 x 30mm Pan Hd. T-20 Screw	4

• Components of the 14-46-2712 Rotary Hammer Service Kit (See page six for a complete listing)

FIG.	PART NO.	DESCRIPTION OF PART	NO. REQ.
25d	40-50-2141	Spring	1
25e	36-66-1621	Reduction Gear Shaft	1
25f	45-22-0926	Coupling Sleeve	1
25g	36-92-0800	Wobble Plate	1
25h	45-36-1826	Spacer	1
25j	32-05-0627	Bevel Gear	1
26	06-82-3006	M4 x 18mm Screw	4
27	16-07-2712	Rotor Assembly	1
27a	-----	Rotor	1
27b	02-04-0033	Ball Bearing	1
28	44-94-5381	Depth Gauge	1
29	14-34-0650	Auxiliary Side Handle	1
31	06-82-3007	M4 x 8mm Screw	2
32	-----	Motor Housing Cover - Right	1
33	-----	Motor Housing Support - Left	1
34	14-20-2712	Electronics Assembly	1
34a	-----	Switch	1
34b	-----	Battery Terminal Connector Block	1
34c	-----	Stator	1
34d	-----	PCBA with LED	1
34e	-----	Terminal Connector	1
36	40-50-1090	Terminal Spring	1
37	43-87-0150	Bellows	1
38	45-24-1021	Forward/Reverse Shuttle	1
39	06-82-1080	M3 x 14mm Pan Hd. Plastite Screw	10
40	-----	Handle Cover - Right Half	1
41	-----	Handle Support - Left Half	1
42	-----	FUEL™ Housing Plate	1
43	42-28-2712	Terminal Cover	1
50	31-50-2712	Motor Housing Assembly	1
51	31-44-2712	Handle Assembly	1
53	14-46-1450	Side Handle Assembly	1
56	12-20-0053	Service Nameplate (Not Shown)	1
60	42-55-0085	Carrying Case for 2712-20 Tool Only and 2712-22 Kit	1
60	42-55-0095	Carrying Case for 2712-22DE Tool with Dust Extractor	1

MILWAUKEE ELECTRIC TOOL CORPORATION
13135 W. Lisbon Road, Brookfield, WI 53005
Dwg. 1