



# SERVICE PARTS LIST

**BULLETIN NO.**  
**54-22-1065**

SPECIFY CATALOG NO. AND SERIAL NO. WHEN ORDERING PARTS		REVISED BULLETIN	DATE
<b>3" STRAIGHT GRINDER</b>		54-22-1064	June 2006
<b>CATALOG NO.</b>	<b>5211</b>	<b>WIRING INSTRUCTION</b>	
<b>STARTING SERIAL NO.</b>	<b>676D</b>	<b>58-01-0313</b>	

00/0

**EXAMPLE:**

Component Parts (Small #) Are Included When Ordering The Assembly (Large #).

★ = Part number change from previous service parts list.

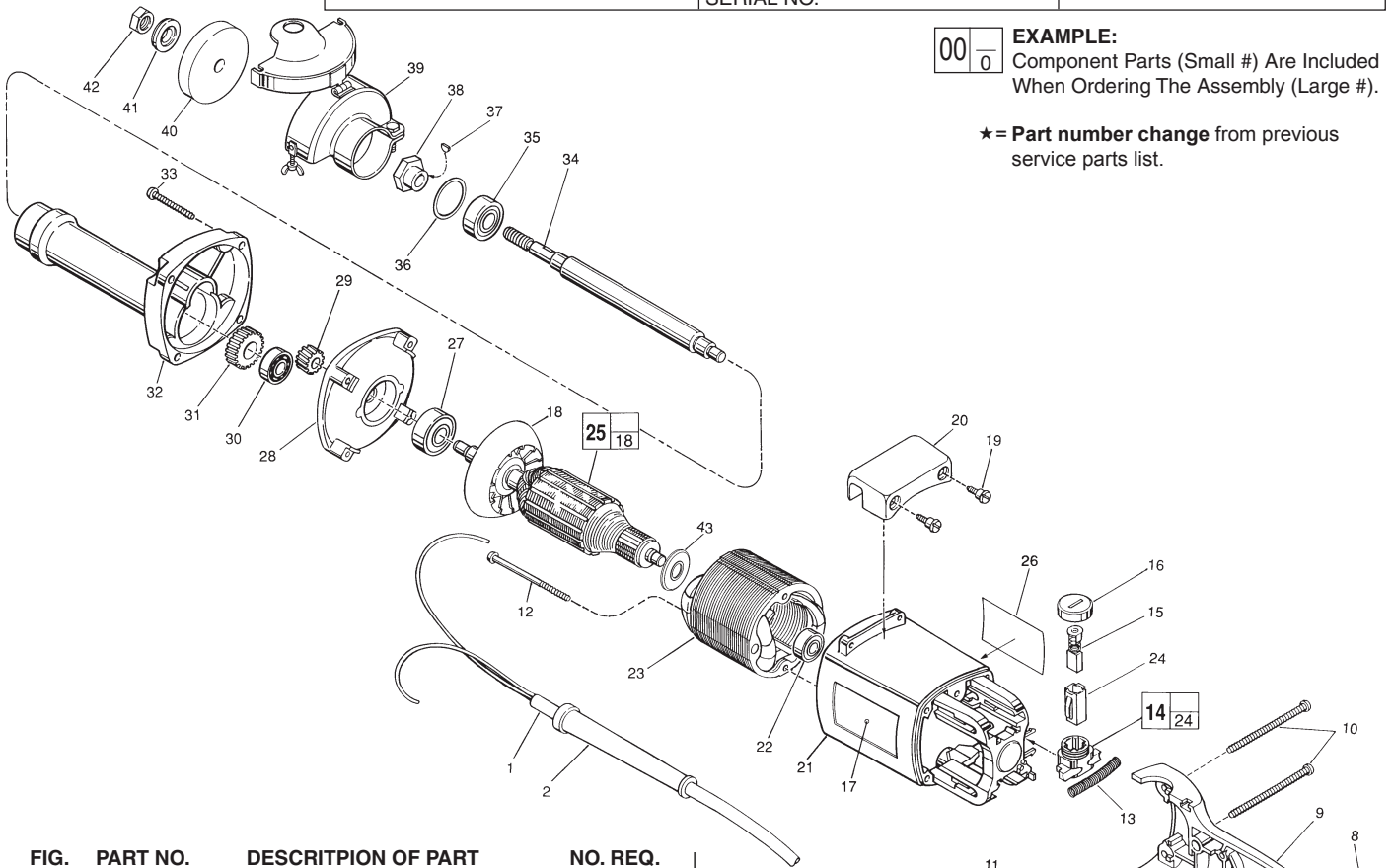


FIG.	PART NO.	DESCRIPTION OF PART	NO. REQ.
	1	22-64-0785 Cord Set	(1)
	2	44-76-0050 Cord Protector	(1)
	3	31-44-1116 Left Handle Half	(1)
	4	06-55-1050 10-24 Hex Nut	(5)
★	5	05-78-0305 Switch Screw T-15	(2)
	6	23-66-1798 Switch	(1)
	7	06-82-7409 8-16 x 1/2" Pan Hd. Plast. T-20	(1)
	8	06-82-2568 10-24 x 7/8" Slit. Pan Hd. T-25	(3)
	9	31-44-1711 Right Handle Half	(1)
	10	06-82-2598 10-24 x 2-3/4" Slit. Pan Hd. T-25	(2)
	11	42-38-0190 Bumper	(1)
	12	06-82-7375 8-16 x 2-1/2" Taptite T-20	(2)
	13	40-50-7770 Brush Holder Spring	(2)
	14	22-22-1325 Brush Holder Assembly	(2)
	15	22-18-0680 Carbon Brush Assembly	(2)
	16	23-44-0210 Brush Retaining Screw	(2)
	17	12-20-5210 Service Nameplate Kit	(1)
	18	22-84-0710 Fan	(1)
	19	45-04-0720 Shoulder Screw	(2)
	20	31-70-0125 Tool Rest	(1)
	21	31-50-0548 Motor Housing	(1)
	22	02-04-0845 Ball Bearing	(1)
	23	18-50-0090 Field	(1)
	24	22-20-0660 Brush Tube	(2)
★	25	16-50-1130 Armature	(1)
	26	10-98-1825 Warning Label	(1)
★	27	02-04-1860 Ball Bearing	(1)
	28	28-28-1565 Diaphragm	(1)
	29	32-02-3020 Armature Gear	(1)
	30	02-04-0910 Ball Bearing	(1)
	31	32-75-3030 Spindle Gear	(1)
	32	28-50-6190 Spindle Housing	(1)
	33	06-82-7407 10-14 x 1-9/16" Pan Hd. T-25	(4)
	34	38-50-5330 Spindle Shaft	(1)
★	35	02-04-1860 Ball Bearing	(1)

FIG.	PART NO.	DESCRIPTION OF PART	NO. REQ.
	36	34-80-2600 Internal Retaining Ring	(1)
	37	06-42-0400 Woodruff Key	(1)
	38	43-34-0195 Inner Wheel Flange	(1)
	39	49-12-0280 Wheel Guard	(1)
	40	----- 3" Grinding Wheel (Select from Cat.)	(1)
	41	43-34-0190 Outer Wheel Flange	(1)
	42	06-55-2475 3/8 - 24 Hex Nut	(1)
★	43	23-16-1700 Commutator Insulator	(1)
		49-96-4050 9/16" Open End Wrench	(1)
		49-96-4075 1" Open End Wrench	(1)

**FIG. LUBRICATION**

★ 32 **Important!** Completely clean out old grease from the spindle housing and replace with 3/4 Oz. Type "Y" Grease, No. 49-08-5270.

**MILWAUKEE ELECTRIC TOOL CORPORATION**  
13135 W. LISBON RD., BROOKFIELD, WI 53005  
Drwg. 4