

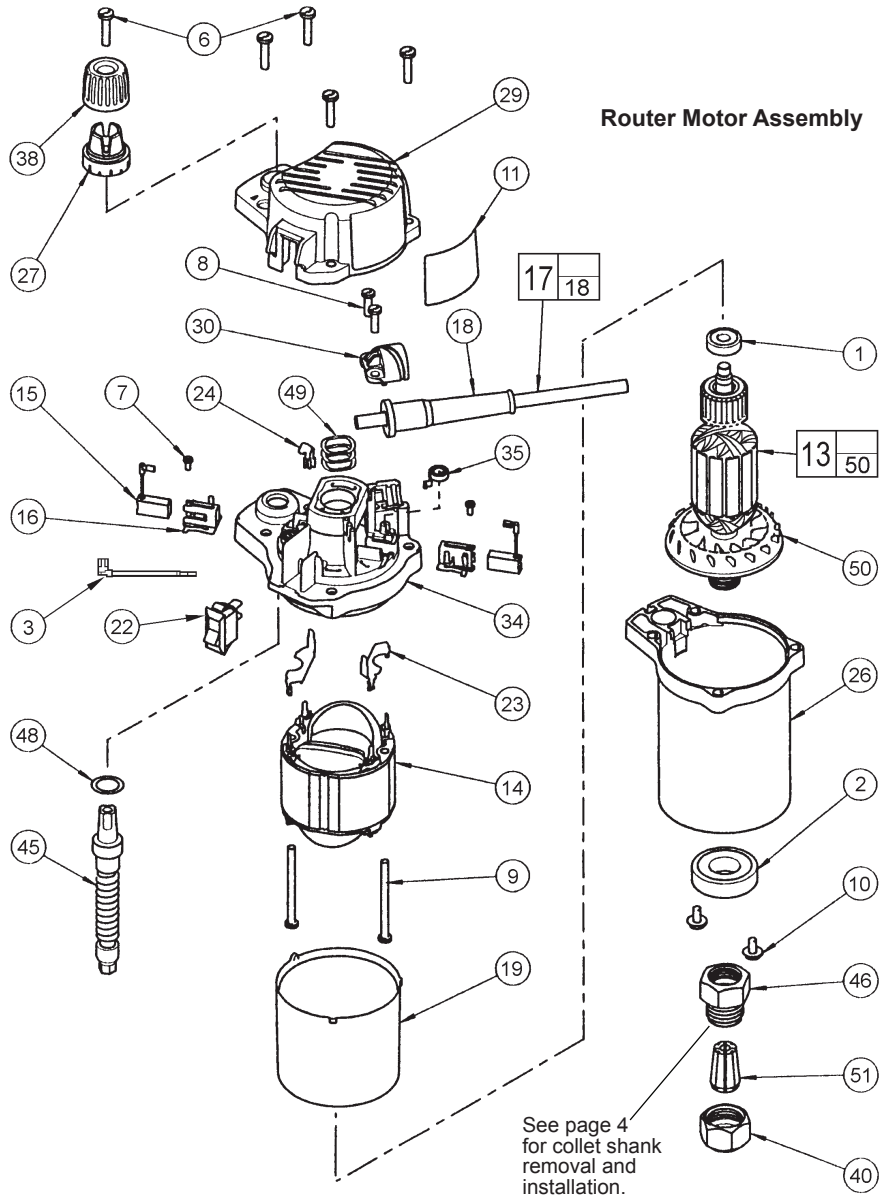


SERVICE PARTS LIST

BULLETIN NO.
54-37-0126

| | | | |
|--|---------------------------|---|-----------|
| SPECIFY CATALOG NO. AND SERIAL NO. WHEN ORDERING PARTS | | REVISED BULLETIN | DATE |
| 1-3/4 H.P. BODY GRIP ROUTER | | 54-37-0125 | Apr. 2010 |
| CATALOG NO. 5615-20/5615-29 | SERIAL NUMBER 279B | WIRING INSTRUCTION 58-01-0705 | |

EXAMPLE:
00 0 Component Parts (Small #)
Are Included When Ordering
The Assembly (Large #).
★ = Part number change from
previous service parts list.



See page 4
for collet shank
removal and
installation.

| FIG. | PART NO. | DESCRIPTION OF PART | QTY. |
|------|------------|---|------|
| 1 | 02-04-0852 | Ball Bearing | (1) |
| ★ 2 | 02-04-2006 | Ball Bearing | (1) |
| ★ 3 | 23-94-0040 | Leadwire Assembly | (1) |
| 6 | 06-82-5574 | 10-24 x 7/8" Pan Hd. Slit. Tapt. T-25 | (5) |
| 7 | 06-82-7212 | 4-20 x 1/4" Pan Hd. Slit. Plast. T-10 | (2) |
| 8 | 06-82-7270 | 8-16 x 5/8" Pan Hd. Slit. Plast. T-20 | (2) |
| 9 | 06-82-7455 | 8-16 x 2-3/8" Pan Hd. Slit. Plast. T-20 | (2) |
| 11 | 12-20-0145 | Service Nameplate Kit | (1) |
| ★ 13 | 16-30-0011 | Armature | (1) |
| 14 | 18-30-1010 | Field | (1) |
| 15 | 22-16-0410 | Carbon Brush | (2) |
| 16 | 22-22-0165 | Brush Tube | (2) |
| 17 | 22-64-7777 | Cord Set Assembly | (1) |
| 18 | 44-76-0210 | Cord Protector | (1) |
| 19 | 23-16-0405 | Field Insulator | (1) |
| ★ 22 | 23-66-2280 | Rocker Switch | (1) |
| 23 | 23-74-0025 | Field Terminal | (2) |
| 24 | 23-74-0055 | Connector Terminal | (1) |
| 26 | 28-50-0105 | Motor Housing | (1) |
| 27 | 31-01-0025 | Depth Scale | (1) |
| 29 | 31-15-0065 | Motor Cover | (1) |
| 30 | 31-17-0070 | Cord Clamp | (1) |
| ★ 34 | 31-50-0106 | Motor Frame | (1) |

| FIG. | PART NO. | DESCRIPTION OF PART | QTY. |
|------|------------|---|------|
| 35 | 40-50-0190 | Brush Spring | (2) |
| ★ 38 | 43-98-0531 | Depth Knob | (1) |
| 40 | 44-40-0095 | Collet Nut (2 supplied with tool) | (1) |
| 45 | 45-08-0030 | Depth Shaft Assembly | (1) |
| ★ 46 | 45-10-0081 | Collet Shank (See reverse side for servicing) | (1) |
| 48 | 45-88-0045 | Washer | (1) |
| 49 | 45-88-0577 | Wave Spring Washer | (3) |
| 50 | 22-84-0380 | Fan Assembly | (1) |
| 51 | 48-66-0985 | 1/4" Collet | (1) |
| 51 | 48-66-1010 | 1/2" Collet | (1) |
| | 49-96-0365 | 1-1/8" Open End Wrench (Not Shown) | (2) |

FIG. 16.34 NOTES:
When servicing the motor frame (34) and the brush tube (16) has to be removed, replace with a new brush tube.

MILWAUKEE ELECTRIC TOOL CORPORATION
13135 W. LISBON RD., BROOKFIELD, WI 53005
Drwg. 6