

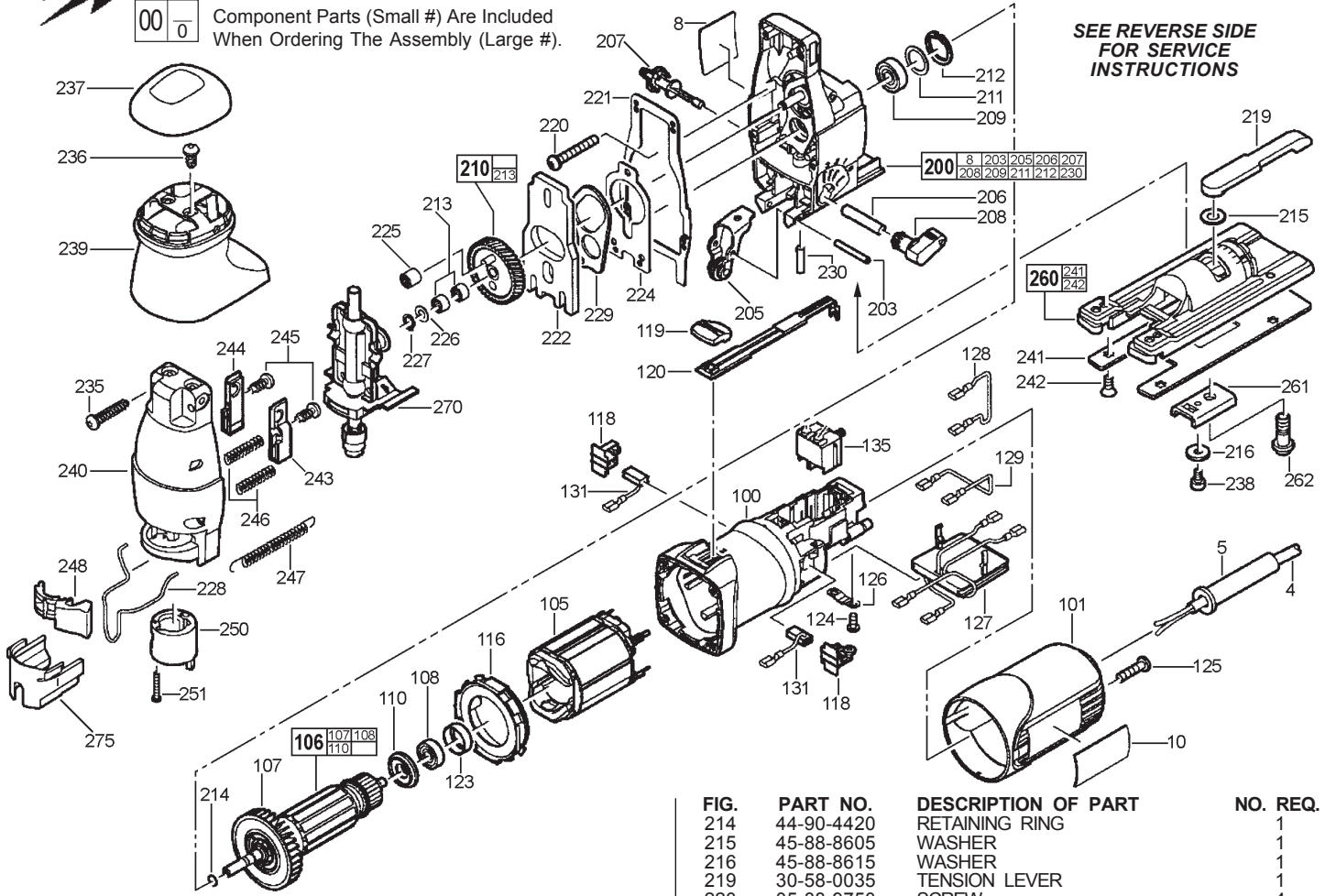


SERVICE PARTS LIST

BULLETIN NO.
54-40-0550

SPECIFY CATALOG NO. AND SERIAL NO. WHEN ORDERING PARTS		REVISED BULLETIN	DATE
ORBITAL JIG SAW			Jan. 2004
CATALOG NO.	6276-21	SERIAL NUMBER	A22A
		WIRING INSTRUCTION	58-01-1171

EXAMPLE:
Component Parts (Small #) Are Included
When Ordering The Assembly (Large #).



**SEE REVERSE SIDE
FOR SERVICE
INSTRUCTIONS**

FIG.	PART NO.	DESCRIPTION OF PART	NO. REQ.
4	22-64-0895	CORD SET	1
5	44-76-0270	CORD PROTECTOR	1
8	10-15-9503	INSTRUCTION LABEL	1
10	10-15-9506	LOGO LABEL	2
100	31-50-1235	MOTOR HOUSING	1
101	31-15-0091	MOTOR HOUSING COVER	1
105	18-07-0140	SERVICE FIELD	1
106	16-07-0140	SERVICE ARMATURE	1
107	22-84-0935	FAN	1
108	02-04-1801	BALL BEARING	1
110	45-88-1221	INSULATING DISC	1
116	31-05-0205	AIR DEFLECTOR PLATE	1
118	22-20-0865	BRUSH HOLDER	2
119	44-10-0376	SWITCH BUTTON/SLIDER	1
120	44-66-0056	MOUNTING PLATE/GUIDE PIECE	1
123	45-22-0535	RUBBER SLEEVE	1
124	05-81-0930	SCREW	2
125	05-81-0915	SCREW	2
126	31-17-0240	CORD CLAMP	1
127	14-20-0825	SPEED DIAL ASSY	1
128	23-94-6640	WIRE	1
129	23-94-6640	WIRE	1
131	22-18-0865	CARBON BRUSH	2
135	23-66-1025	SWITCH	1
200	14-30-0795	GEAR CASE COMPLETE	1
203	06-65-0565	PIN	1
205	42-36-1790	SUPPORT BRACKET COMPLETE	1
206	36-10-0825	CAM SHAFT	1
207	30-58-0045	VACUUM CONTROL KNOB	1
208	30-58-0055	ORBIT LEVER	1
209	02-04-1820	BALL BEARING	1
210	32-30-0132	GEAR ASSEMBLY	1
211	44-86-0215	WAVY WASHER	1
212	44-90-4425	RETAINING RING	1
213	02-50-9005	NEEDLE BEARING	2

FIG.	PART NO.	DESCRIPTION OF PART	NO. REQ.
214	44-90-4420	RETAINING RING	1
215	45-88-8605	WASHER	1
216	45-88-8615	WASHER	1
219	30-58-0035	TENSION LEVER	1
220	05-88-9750	SCREW	4
221	43-44-1071	GASKET	1
222	42-87-0115	COUNTER BALANCE	1
224	44-66-6166	SPACER PLATE	1
225	02-50-9996	NEEDLE BEARING	1
226	45-88-8600	WASHER	1
227	34-60-3670	SNAP RING	1
228	45-12-0535	WIREFORM SHIELD	1
229	42-09-0155	ROCKER ARM	1
230	44-60-1415	LINKAGE PIN	1
235	05-88-9904	SCREW	4
236	05-88-9751	SCREW	2
237	31-12-0240	HANDLE CAP	1
238	05-88-9755	SCREW	1
239	43-98-0265	HANDLE KNOB	1
240	14-38-0665	GEAR CASE COVER	1
241	45-16-0636	SLIDE PLATE	1
242	05-88-9756	SCREW	4
243	42-68-1025	CLAMP, LEFT	1
244	42-68-1015	CLAMP, RIGHT	1
245	05-88-9753	SCREW	2
246	40-50-8790	PRESSURE SPRING	2
247	40-50-8800	TENSION SPRING	1
248	44-10-0345	BLADE CLAMP LEVER	1
250	45-22-0531	INDEX SLEEVE	1
251	05-88-9754	SCREW	1
260	45-16-0635	SHOE ASSY	1
261	44-86-0581	THRUST PIECE	1
262	05-74-0676	SCREW	1
270	38-50-6055	SPINDLE ASSEMBLY	1
275	45-12-0525	DUST CAP	1
	12-20-3321	SERVICE NAMEPLATE	1
	23-74-0155	TERMINAL	2

MILWAUKEE ELECTRIC TOOL CORPORATION
13135 W. LISBON RD., BROOKFIELD, WI 53005