



# SERVICE PARTS LIST

**BULLETIN NO.**  
**54-26-7000**

SPECIFY CATALOG NO. AND SERIAL NO. WHEN ORDERING PARTS		REVISED BULLETIN	DATE
<b>CORDLESS 1/2" IMPACT WRENCH</b>			Oct. 2011
CATALOG NO. <b>0779-20</b>	STARTING SERIAL NO. <b>A58A &amp; A58B</b>	WIRING INSTRUCTION <b>SEE REVERSE SIDE</b>	

Slug placement is for handle halves.

**Replace the Gasket (37) whenever the tool is opened for servicing.**

**EXAMPLE:**  
Component Parts (Small #) Are Included When Ordering The Assembly (Large #).

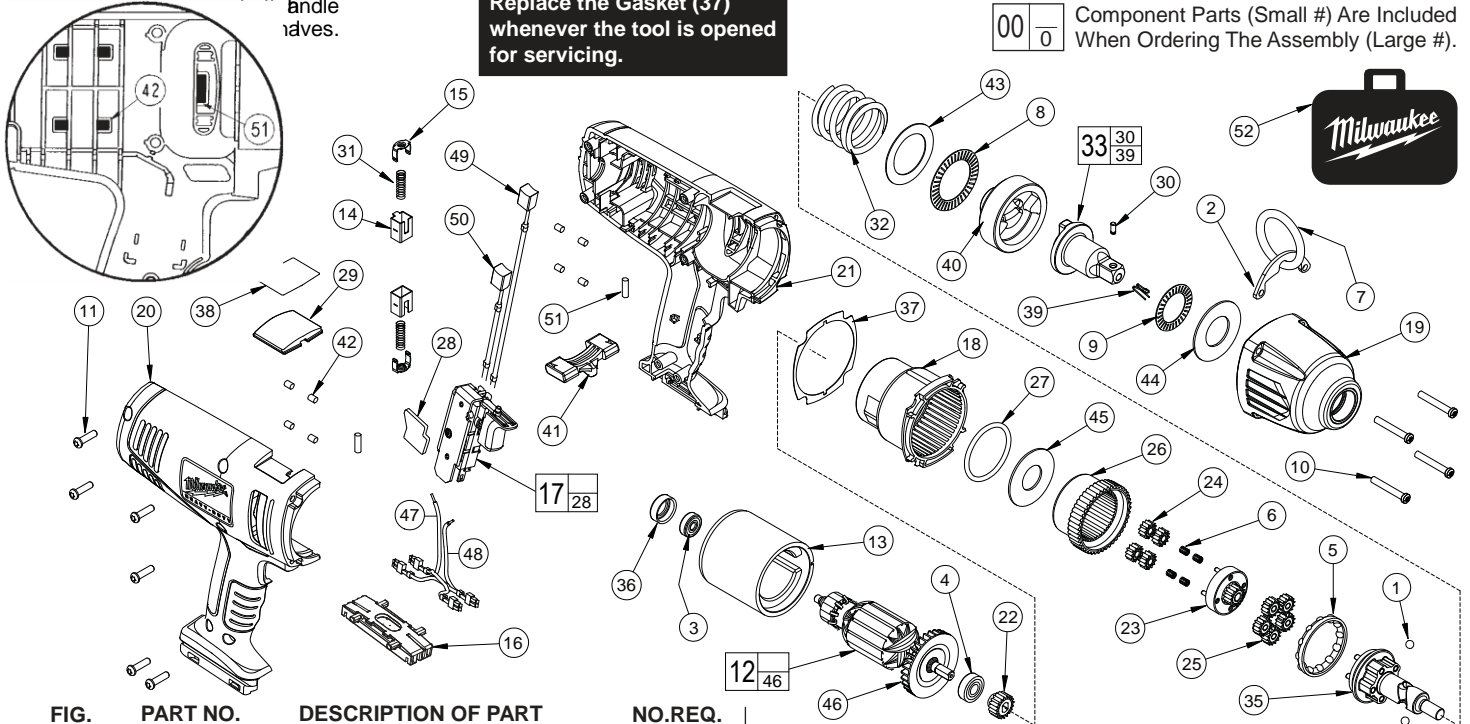


FIG.	PART NO.	DESCRIPTION OF PART	NO. REQ.
1	02-02-0250	1/4" Ball	(2)
2	43-72-0275	Tool Hanger	(1)
3	02-04-0645	Ball Bearing	(1)
4	02-04-0852	Ball Bearing	(1)
5	02-40-0050	Angular Contact Bearing	(1)
6	02-50-3260	Unit Cage Bearing	(4)
7	44-90-0095	Steel Ring	(1)
8	02-80-0200	Thrust Bearing	(1)
9	02-80-3256	Thrust Bearing	(1)
10	05-88-5988	K50 x 35mm Screw	(4)
11	06-95-6290	M5 x 2.24 x 18 Plastite Screw	(7)
12	16-01-2120	Armature	(1)
13	18-01-2120	Field	(1)
14	22-20-0425	Brush Tube	(2)
15	22-32-0420	Brush Spring Clip	(2)
16	22-56-0975	Connector Block Assembly	(1)
17	23-66-1779	Switch Assembly	(1)
18	28-14-0175	Gearcase	(1)
19	14-38-0100	Front Housing Assembly	(1)
20	31-44-0179	Right Handle	(1)
21	31-44-0779	Left Handle	(1)
22	32-60-0170	Sun Gear	(1)
23	32-60-0185	Sun Gear	(1)
24	32-62-0210	Planet Gear	(4)
25	32-62-0215	Planet Gear	(5)
26	32-65-0005	Ring Gear	(1)
27	34-40-0070	O-Ring	(1)
28	23-50-0120	Rubber Spacer	(1)
29	31-01-0779	Label Plate	(1)
30	44-60-1170	Detent Pin	(1)
31	40-50-9079	Spring	(2)
32	40-50-0241	Spring	(1)
33	14-73-0145	Anvil Assembly	(1)
35	14-73-0300	Cam Shaft Assembly	(1)
36	42-96-0015	Bearing Cup	(1)
37	43-44-0991	Gasket	(1)
38	12-20-0779	Service Nameplate Kit	(1)
39	40-50-8320	Detent Spring	(1)
40	44-82-0205	Ram	(1)
41	45-24-0640	Reversing Shuttle	(1)
42	45-30-0021	Rubber Slug	(8)
43	45-88-0535	Washer	(1)
44	45-88-1575	Washer	(1)
45	45-88-3250	Washer	(1)
46	22-84-0375	Fan	(1)
47	23-94-0279	Leadwire Assembly-Black	(1)
48	23-94-0179	Leadwire Assembly-Red	(1)
49	22-18-2080	Brush Assembly-Red	(1)
50	22-18-1980	Brush Assembly-Black	(1)
51	45-30-0025	Rubber Slug	(2)
52	48-55-0779	Carrying Case, Optional	(1)

- FIG. 3** **NOTES:**  
Orient bearing seal (black side) toward the commutator.
- 10** Torque to 32-42 in./lbs.
- 11** Torque to 15-25 in./lbs.
- 12,14,21** Remove brush tubes prior to removing armature assembly from left handle half.
- 12,14,21** Install brush tubes into left handle half after armature assembly has been secured into that handle half.
- 16,28** Concave side of connector block cover to face connector block.
- 17,21** Ensure that the field is firmly seated on the locking groove on the left handle half prior to installing the right handle half. The field should not be able to rotate.
- 49,50** At the time of brush replacement, the tool should be relubricated with Type "Z" Grease, No.49-08-7655.
- FIG. 19,26,35,40** **LUBRICATION (Type "Z" Grease, No.49-08-7655):**  
Lightly coat with grease the Ring Gear (26) and the Camshaft Planet Carrier bearing races (35). Lightly coat with grease the back bearing surface of the Ram (40) and the I.D. of the Front Housing Bushing (19).
- 33** Place a dab of grease in the Needle Bearing inside the Anvil (33).
- 23,24,25,35** Fill with grease the center of the five Planet Gears (25) on the Camshaft Assembly (35). Fill the center of the four Planet Gears (24) on the Sun Gear (23).
- 40** Place approximately 1/4 oz. of grease in the front cavity of the Ram.
- 35** Place approximately 1/4 oz. grease on the Camshaft (35) inside the Spring (32).

**MILWAUKEE ELECTRIC TOOL CORPORATION**  
13135 W. LISBON RD., BROOKFIELD, WI 53005