



SERVICE PARTS LIST

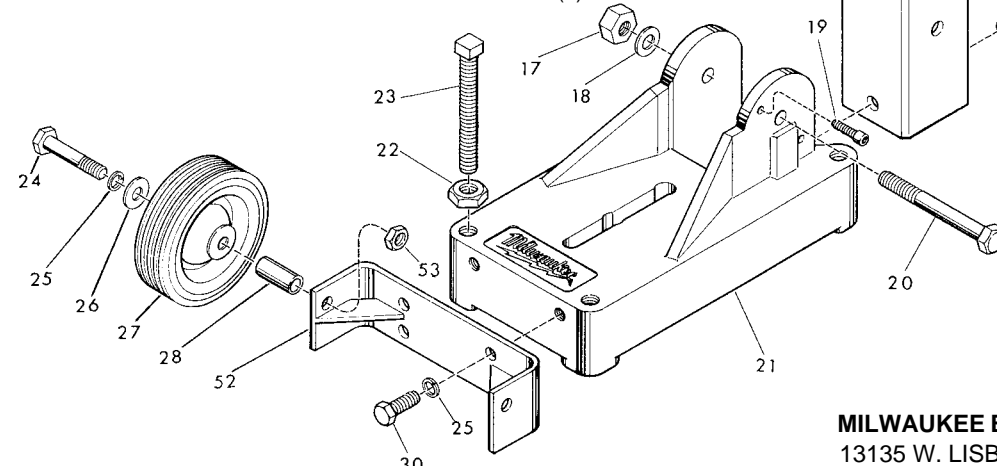
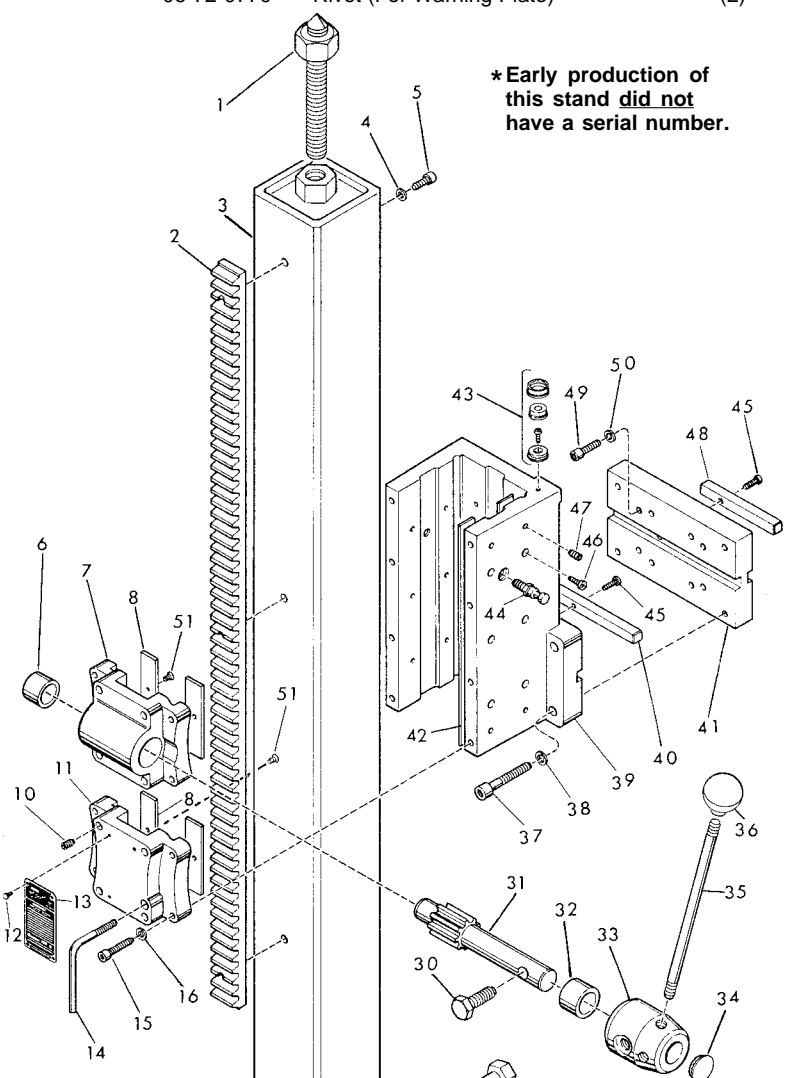
BULLETIN NO.
54-46-1300

SPECIFY CATALOG NO. AND SERIAL NO. WHEN ORDERING PARTS		REVISED BULLETIN	DATE
SMALL BASE DYMORIG			Nov. 2002
CATALOG NO.	4125	STARTING SERIAL NO.	A10A*
WIRING INSTRUCTION			

EXAMPLE:

00 0
Component Parts (Small #) Are Included
When Ordering The Assembly (Large #).

FIG.	PART NO.	DESCRIPTION OF PART	NO. REQ.
1	45-04-0535	Jack Screw Assembly	(1)
2	44-80-0170	Rack	(1)
3	42-78-0090	Column Assembly	(1)
4	06-97-4110	5/16" Split Ring Lockwasher	(3)
5	06-75-3925	5/16-18 x 5/8" Socket Hd. Cap Scr.	(3)
6	42-24-0210	Bronze Bearing	(1)
7	28-50-7710	Pinion Housing	(1)
8	43-48-0110	Gib	(4)
10	06-83-2660	1/4-20 x 3/8" Hdls. Skt. Hd. Set Scr.	(8)
11	28-20-1210	Cradle Cover	(1)
12	06-72-0770	Nameplate Rivet	(4)
13	12-99-0171	Nameplate Blank	(1)
14	44-20-0200	Cradle Lock	(1)
15	06-75-3100	1/4-20 x 1" Socket Hd. Screw	(8)
16	06-97-4050	1/4" Split Ring Lockwasher	(8)
17	06-55-3350	5/8-18 Hex Nut	(1)
18	45-88-7530	Washer	(1)
19	06-75-4675	3/8-16 x 1" Socket Hd. Screw	(2)
20	06-75-1100	5/8-18 x 5" Hex Hd. Cap Screw	(1)
21	28-06-0960	Small Base	(1)
22	06-55-3250	5/8-11 Hex Nut	(4)
23	06-83-5150	5/8-11 x 4-1/2" Level Screw	(4)
24	06-75-0970	1/2-13 x 2-3/4" Hex Hd. Screw	(2)
25	06-97-4200	1/2" Split Ring Lockwasher	(4)
26	45-88-7460	Washer	(2)
27	45-94-0200	Wheel	(2)
28	42-40-0550	Wheel Bushing	(2)
29	06-75-0999	5/8-11 x 4" Hex Hd. Bolt	(1)
30	06-75-0800	1/2-13 x 1-1/4" Hex Hd. Bolt	(3)
31	36-66-3020	Pinion Shaft	(1)
32	42-24-0215	Bronze Bearing	(1)
33	43-78-0300	Handle Hub	(1)
34	42-42-0095	Hole Plug	(1)
35	43-62-0050	Handle	(4)
36	43-98-0050	Plastic Knob	(4)
37	06-75-4750	3/8-16 x 1-3/4" Socket Hd. Screw	(4)
38	06-97-4127	3/8" Split Ring Lockwasher	(4)
39	28-23-3220	Cradle	(1)
40	43-96-0110	Key	(1)
41	44-34-0110	Motor Mount	(1)
42	43-48-0120	Gib	(6)
43	44-08-0060	Circular Level	(1)
44	45-58-0280	Switch Box Mounting Stud	(2)
45	06-81-5825	6-32 x 1/2" Fil. Hd. Sems	(2)
46	06-81-6102	8-32 x 7/16" Fil. Hd. Sems	(18)
47	06-83-2660	1/4-20 x 3/8" Hdls. Skt. Hd. Set Scr.	(4)
48	43-96-0100	Key	(1)
49	06-75-3090	1/4-20 x 7/8" Skt. Hd. Scr. (Motor Mount)	(4)
50	06-97-4050	1/4" Split Ring Lockwasher (Motor Mount)	(4)
51	06-82-0970	8-32 x 3/8" Flat Hd. T-15	(4)



FOR OPTIONAL METER BOXES REFER TO:

Meter Box	Bulletin
48-51-0100	58-01-0663
48-51-0120	58-01-0664