



# SERVICE PARTS LIST

**BULLETIN NO.**  
54-14-2404

SPECIFY CATALOG NO. AND SERIAL NO. WHEN ORDERING PARTS			REVISED BULLETIN	DATE
<b>3/4" ELECTRIC DRILL</b>			54-14-2403	Oct. 2000
<b>CATALOG NO.</b>	<b>4262-1</b>	<b>STARTING SERIAL NO.</b>	<b>WIRING INSTRUCTION</b>	
		<b>502A or 502-35638</b>	<b>58-01-0376</b>	

00 0

**EXAMPLE:**

Component Parts (Small #)  
Are Included When Ordering  
The Assembly (Large #).

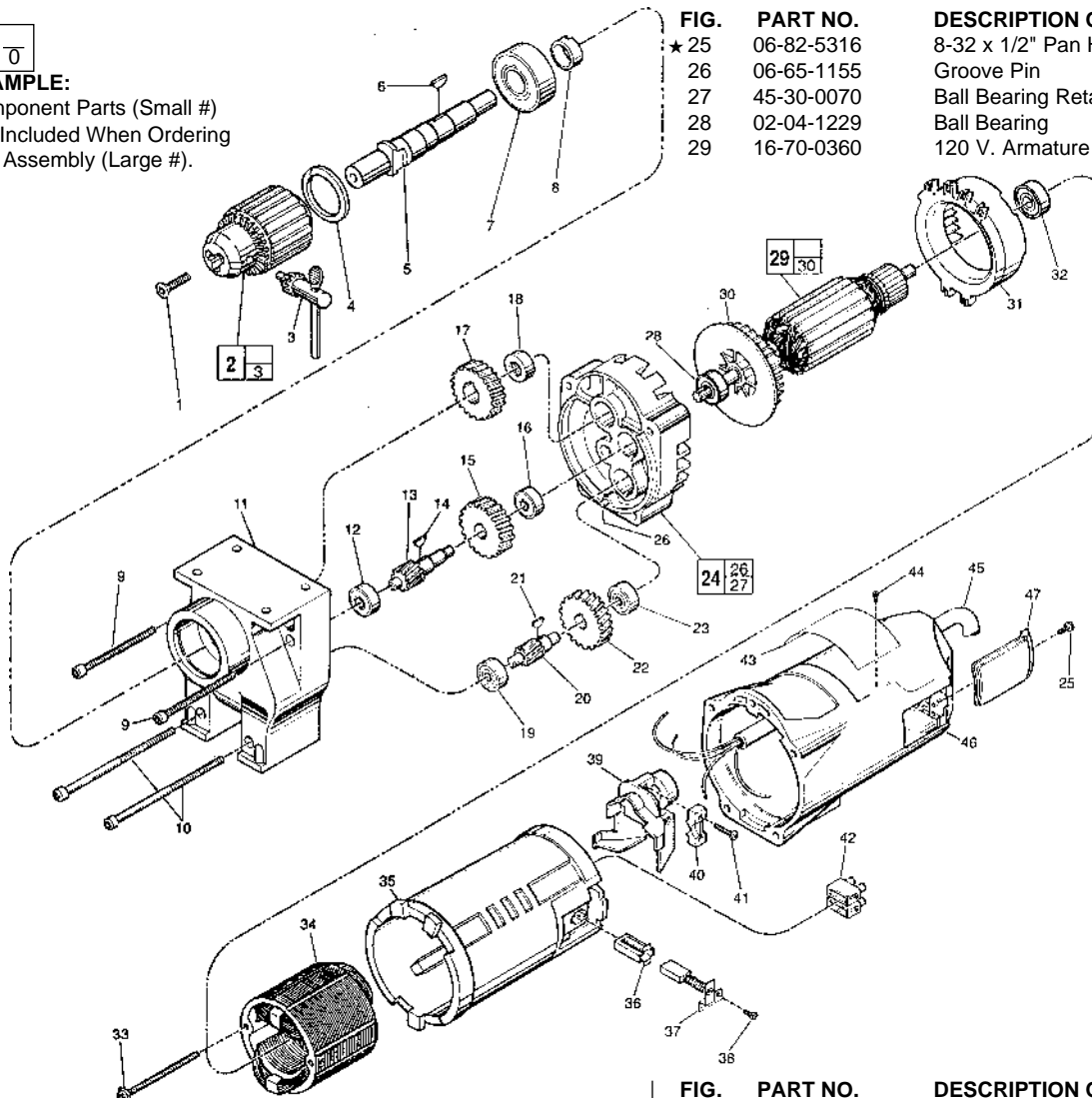


FIG.	PART NO.	DESCRIPTION OF PART	NO REQ.
★ 25	06-82-5316	8-32 x 1/2" Pan Hd. Slit Tap. T-20	(2)
26	06-65-1155	Groove Pin	(1)
27	45-30-0070	Ball Bearing Retaining Slug (Not Shown)	(2)
28	02-04-1229	Ball Bearing	(1)
29	16-70-0360	120 V. Armature	(1)

FIG.	PART NO.	DESCRIPTION OF PART	NO REQ.
1	06-81-3100	5/16-18 x 1" Skt. Hd. Screw	(1)
2	48-66-2085	3/4" Chuck	(1)
3	48-66-3160	Chuck Key	(1)
4	34-80-3800	Retaining Ring	(1)
5	38-50-5480	Reversing Spindle	(1)
6	06-42-2400	Woodruff Key	(1)
★ 7	02-04-2200	Ball Bearing	(1)
8	45-36-0080	Spindle Spacer	(1)
9	06-82-8550	1/4-20 x 3-1/8" Fil. Taptite T-30 Sems	(2)
10	06-82-9202	1/4-20 x 4-1/4" Fil. Taptite T-30 Sems	(2)
11	28-14-0091	Gear Case Assembly	(1)
12	02-04-1210	Ball Bearing	(1)
13	36-66-1302	Intermediate Shaft	(1)
14	06-42-2000	Woodruff Key	(1)
15	32-44-1141	Intermediate Gear	(1)
16	02-04-0910	Ball Bearing	(1)
17	32-75-1261	Spindle Gear	(1)
18	02-50-4820	Needle Bearing	(1)
19	02-04-0910	Ball Bearing	(1)
20	36-66-1251	Intermediate Shaft	(1)
21	06-42-1200	Woodruff Key	(1)
22	32-42-1201	Intermediate Gear	(1)
23	02-04-0910	Ball Bearing	(1)
24	14-13-0250	Diaphragm Assembly	(1)

FIG.	PART NO.	DESCRIPTION OF PART	NO REQ.
30	22-84-0790	Fan	(1)
31	42-14-0291	Baffle	(1)
32	02-04-1041	Ball Bearing	(1)
33	06-82-9072	10-24 x 2-1/8" Pan Hd. T-25 Sems	(2)
34	18-70-0320	120 V. Field	(1)
35	23-16-1410	Insulating Housing	(1)
36	22-20-0680	Brush Tube	(2)
37	22-18-0701	Carbon Brush Assembly	(2)
38	06-82-8835	8-32 x 5/16" Pan Hd. Slit. T-20 Sems	(2)
39	22-38-0140	Wire Trap	(1)
40	31-17-0200	Cord Clamp	(1)
41	06-82-7326	8-16 x 1" Pan Hd. Plast. Slit. T-20	(2)
42	22-56-0470	Terminal Block	(1)
★ 43	12-99-1300	Service Nameplate	(1)
44	06-85-0200	Service Nameplate Screw	(2)
45	22-64-3050	120 V. Cord Set	(1)
46	28-50-6360	Motor Housing	(1)
47	22-32-0350	Brush Cover	(2)

**FIG. LUBRICATION**

11 9-1/2 Oz. Type "J" Grease, No. 49-08-4220.

**FIG. NOTE**

9,10 Apply Blue Loctite To Threads.

**MILWAUKEE ELECTRIC TOOL CORPORATION**  
13135 W. LISBON RD., BROOKFIELD, WI 53005