



SERVICE PARTS LIST

BULLETIN NO.
54-05-0725

SPECIFY CATALOG NO. AND SERIAL NO. WHEN ORDERING PARTS		REVISED BULLETIN	DATE
WET/DRY VACUUM CLEANER			Jan. 2001
CATALOG NO.	8926	STARTING SERIAL NO.	872A
			WIRING INSTRUCTION SEE REVERSE SIDE

EXAMPLE:

00	σ
----	---

 Component Parts (Small #) Are Included
 When Ordering The Assembly (Large #).

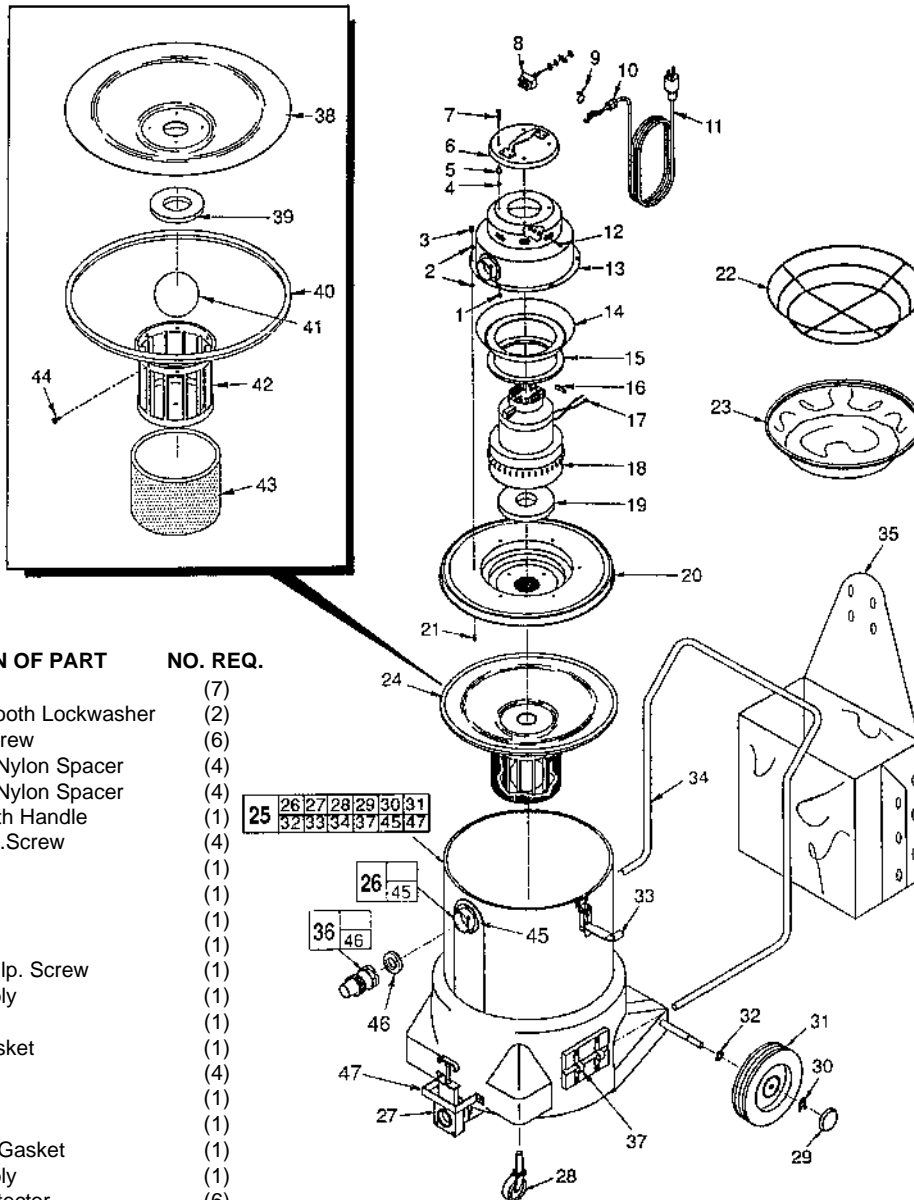


FIG.	PART NO.	DESCRIPTION OF PART	NO. REQ.
1	06-55-3800	10-24 Hex Nut	(7)
2	45-88-8680	#12 Internal Tooth Lockwasher	(2)
3	06-81-1815	12-14 x .50 Screw	(6)
4	45-88-8695	.37 Dia. x .18 Nylon Spacer	(4)
5	45-88-8700	.37 Dia. x .56 Nylon Spacer	(4)
6	44-66-6175	Dome Cap With Handle	(1)
7	06-81-1825	10-24 x 1 Phlp.Screw	(4)
8	23-66-0870	Switch	(1)
9	22-38-0170	Wire Tie	(1)
10	44-76-0020	Strain Relief	(1)
11	22-64-0700	Cord	(1)
12	06-81-1812	10-24 x .75 Phlp. Screw	(1)
13	42-92-1055	Dome Assembly	(1)
14	42-04-3595	Baffle	(1)
15	43-44-1025	Top Motor Gasket	(1)
16	23-71-0010	Wire Nut	(4)
17	23-74-1280	Terminal	(1)
18	23-30-0305	3 Stage Motor	(1)
19	43-44-1030	Bottom Motor Gasket	(1)
20	42-92-1060	Cover Assembly	(1)
21	44-76-0275	Screw Tip Protector	(6)
22	49-90-0275	Wire Filter Frame	(1)
23	49-90-0265	Cloth Filter	(1)
24	49-90-1640	Wet Pickup Conversion Pan	(1)
25	42-51-0425	Tank Assembly	(1)
26	42-86-0080	Inlet Connector Assembly	(1)
27	45-80-0225	Valve Assembly	(1)
28	45-94-0370	Swivel Caster	(2)
29	42-52-0220	Hub Cap	(2)
30	45-88-8685	Washer	(2)
31	45-94-0375	Wheel	(2)
32	45-88-8690	Wave Washer	(2)
33	42-68-0291	Holddown Clamp	(3)
34	43-62-1120	Push Handle	(1)
35	49-90-0295	Tool Caddy	(1)
36	49-90-0150	Swivel Hose Connector	(1)
37	42-36-1795	Handle Bracket	(4)
38	44-54-4000	Conversion Pan Adaptor	(1)
39	43-44-4000	Shut Off Gasket	(1)
40	43-44-0330	Gasket	(1)

FIG.	PART NO.	DESCRIPTION OF PART	QTY. REQ.
41	42-46-0170	Float Ball	(1)
42	42-46-0160	Float Cage	(1)
43	49-90-1820	Foam Sleeve	(1)
44	06-81-1900	#10 Screw	(2)
45	43-44-0370	Gasket	(1)
46	43-44-0275	Gasket	(1)
47	42-36-1810	Valve Bracket	(1)
	22-18-0905	Brush And Brush Holder (Set)	(1)
	49-90-0351	Paper Filter (5 Pack)	(1)
	10-20-8900	Warning Label	(1)
	12-20-8900	Service Nameplate Kit	(1)
	10-05-5050	Conversion Label	(1)

MILWAUKEE ELECTRIC TOOL CORPORATION
 13135 W. LISBON RD., BROOKFIELD, WI 53005