

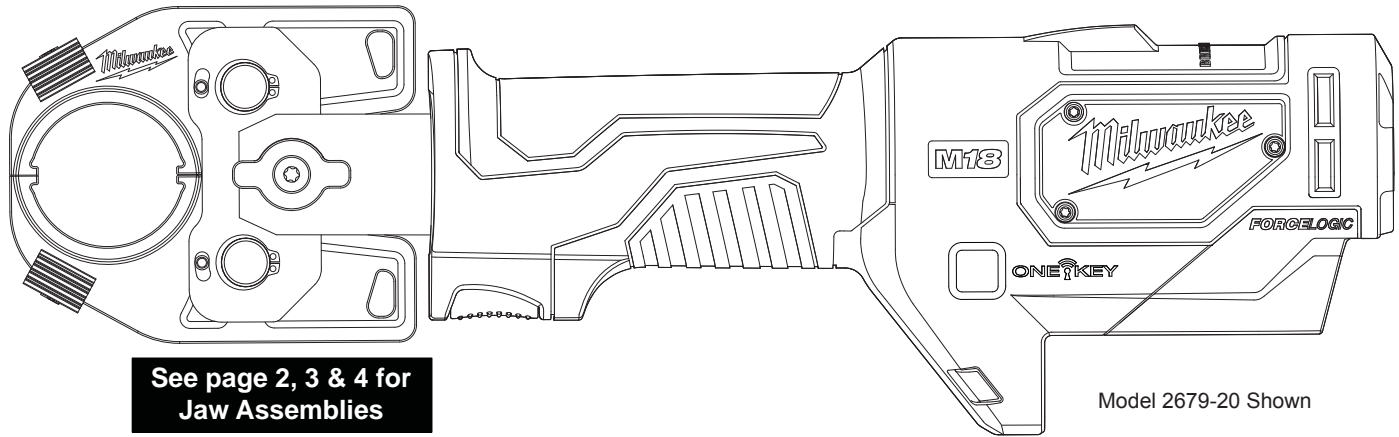


SERVICE PARTS LIST

**BULLETIN NO.
54-00-6TCC**

SPECIFY CATALOG NO. AND SERIAL NO. WHEN ORDERING PARTS		REVISED BULLETIN	DATE
M18™ FORCELOGIC™ 6T HYDRAULIC TOOLS			Feb. 2016
CATALOG NO.	SERIAL NUMBER	WIRING INSTRUCTION	

- 2672-20 M18™ FORCELOGIC™ 6T Cable Cutter and applicable jaw assemblies**
- 2678-20 M18™ FORCELOGIC™ 6T Utility Crimper and applicable jaw assemblies**
- 2679-20 M18™ FORCELOGIC™ 6T Commercial Crimper and applicable jaw assemblies**



**See page 2, 3 & 4 for
Jaw Assemblies**

Model 2679-20 Shown

**JAW ASSEMBLIES for the 2672-20
M18™ FORCELOGIC™ 6T Cable Cutter**

49-16-2772 Cu/Al Jaw Assembly

49-16-2773 ACSR Jaw Assembly

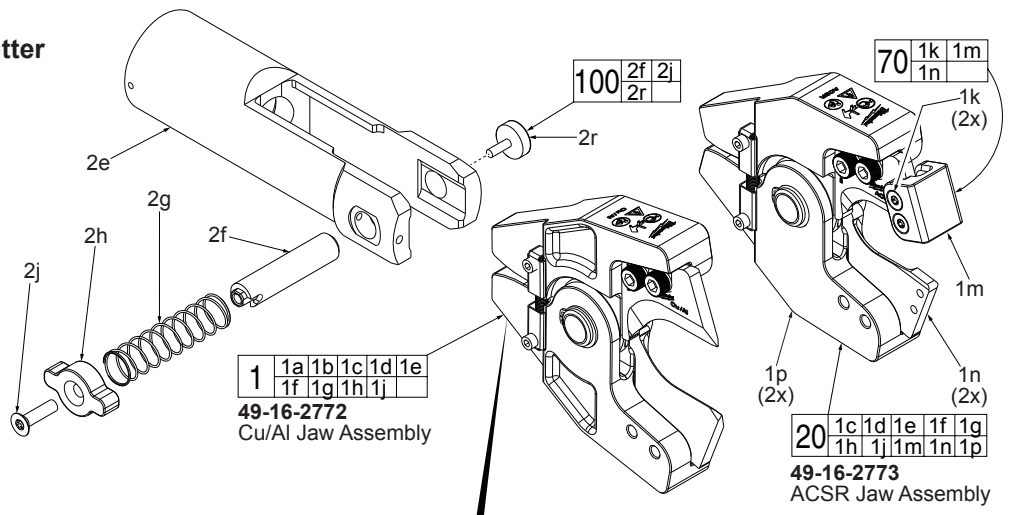
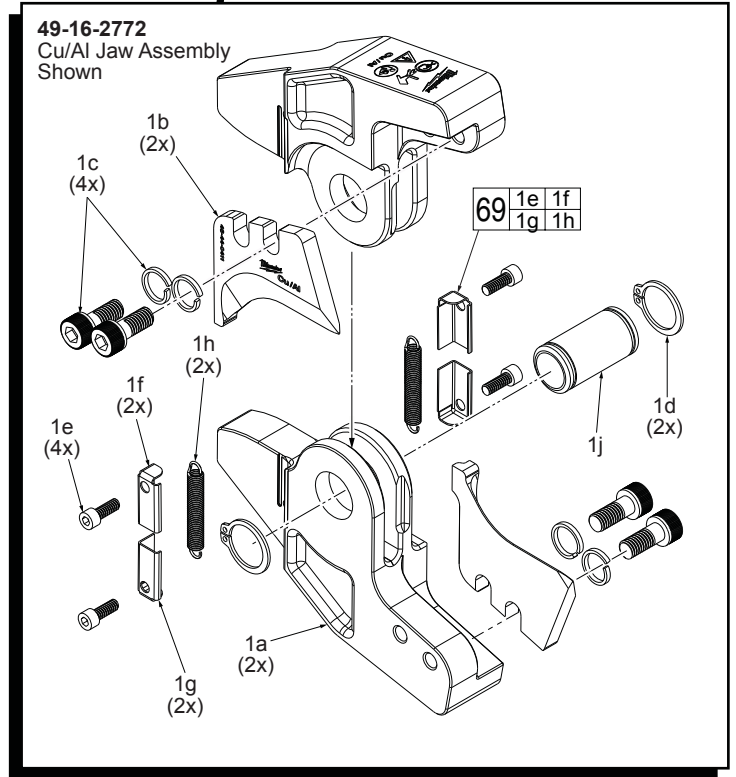


FIG.	PART NO.	DESCRIPTION OF PART	NO. REQ.
1	49-16-2772	Jaw Assembly with Cu/Al Jaws	(1)
1a	-----	Cu/Al Cutter Jaw	(2)
1b	48-44-0411	Cu/Al Replacement Blade (Set)	(1)
1c	05-74-0018	M6 x 1.0 x 14mm Blade Mount Screw	(4)
1d	44-86-0042	Retaining Ring	(2)
1e	-----	Spring Mounting Screw	(4)
1f	-----	Left Spring Cover	(2)
1g	-----	Right Spring Cover	(2)
1h	-----	Outer Spring	(2)
1j	-----	Hollow Pin	(1)
1k	05-80-0020	Retainer Screw	(2)
1m	44-86-0053	Blade Retainer	(1)
1n	-----	ACSR Blade	(1)
1p	-----	ACSR Cutter Jaw	(2)
2e	-----	Clevis	(1)
2f	44-60-0044	Lock Pin	(1)
2g	40-50-0019	Lock Pin Spring	(1)
2h	31-12-0018	Lock Pin Cap	(1)
2j	06-82-0050	Clevis Pin Cap Screw T-25	(1)
2r	06-87-0010	Knurled Thumb Screw	(1)
20	49-16-2773	Jaw Assembly with ACSR Jaws	(1)
61	44-96-0050	Roller and Carrier Assembly	(1)
62	44-82-0015	Ram Assembly Kit	(1)
63	28-25-0020	Clevis Service Kit	(1)
66	43-79-0610	Complete Hydraulic Assembly	(1)
67	45-06-1005	Seal Kit	(1)
68	14-46-0038	Maintenance Service Kit	(1)
69	14-46-0018	Jaw Spring and Cover Service Kit	(1)
70	48-44-0412	ACSR Replacement Blade Kit	(1)
100	44-60-0041	Clevis Pin Upgrade Kit	(1)



**JAW ASSEMBLIES for the 2678-20
M18™ FORCELOGIC™ 6T Utility Crimper**

49-16-BGD3 D3-BG Jaw Assembly

49-16-00D3 D3-O Jaw Assembly

49-16-00D3 D3 Jaw Assembly

49-16-KEAR Kearney Jaw Assembly

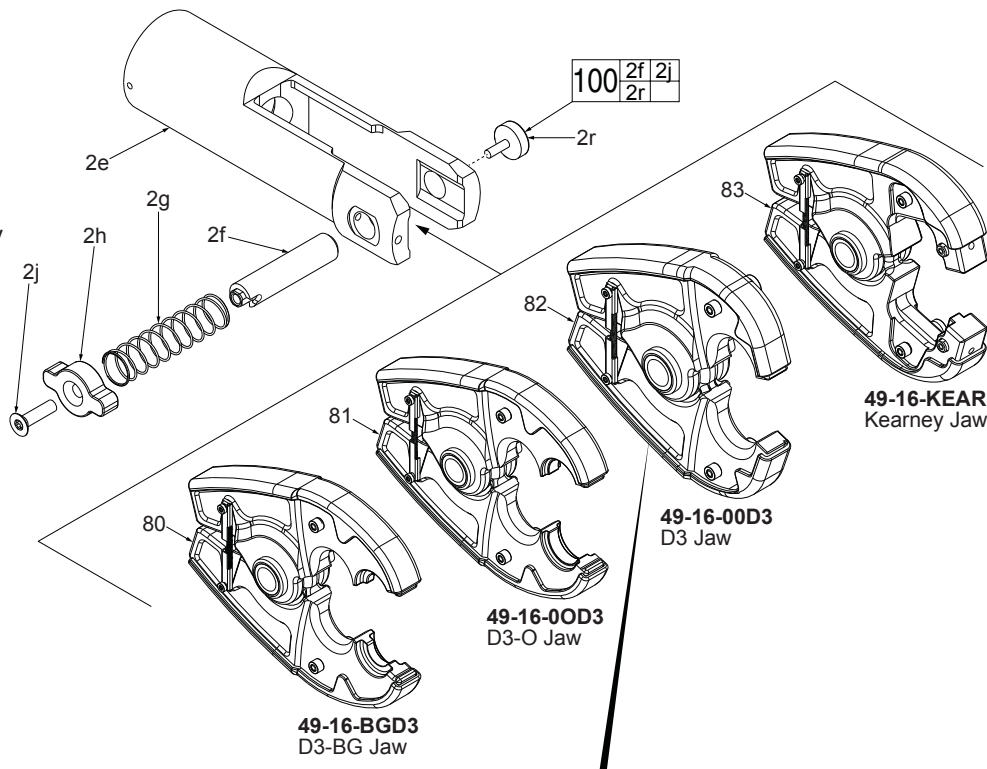
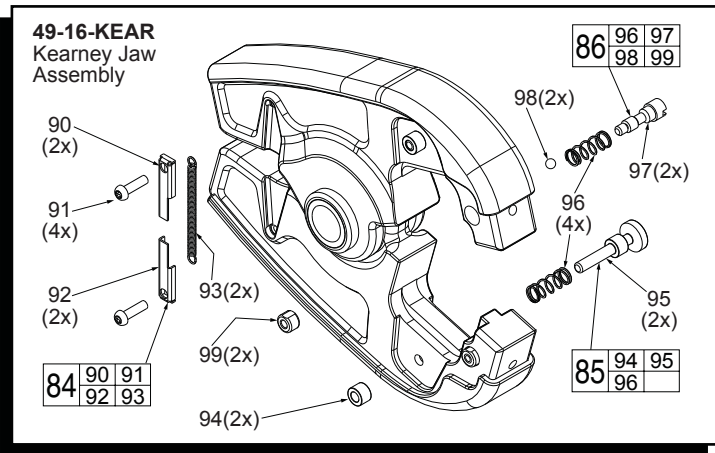
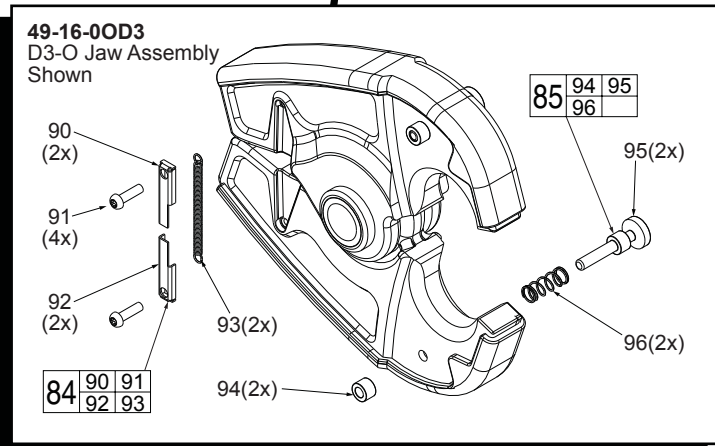


FIG.	PART NO.	DESCRIPTION OF PART	NO. REQ.
	2e	Clevis	(1)
	2f	Lock Pin	(1)
	2g	Lock Pin Spring	(1)
	2h	Lock Pin Cap	(1)
	2j	Clevis Pin Cap Screw T-25	(1)
	2r	Knurled Thumb Screw	(1)
	80	49-16-BGD3 D3-BG Jaw	(1)
	81	49-16-00D3 D3-O Jaw	(1)
	82	49-16-00D3 D3 Jaw	(1)
	83	49-16-KEAR Kearney Jaw	(1)
	84	Jaw Spring and Cover Kit (Set of 1)	(2)
	85	W Die Pin Kit (Set of 1)	(2)
	86	Kearney Die Pin Kit (Set of 1)	(2)
	90	Left Spring Cover	(2)
	91	Spring Mount Screw	(4)
	92	Right Spring Cover	(2)
	93	Outer Spring	(2)
	94	Die Pin Retainer	(2)
	95	Die Pin Post	(2)
	96	Die Pin Spring	(2)
	97	Kearney Die Pin	(2)
	98	Kearney Detent Ball	(2)
	99	Kearney Die Pin Cap	(2)
	100	44-60-0041 Clevis Pin Upgrade Kit	(1)



JAW ASSEMBLIES for the 2679-20
M18™ FORCELOGIC™ 6T Commercial Crimper

49-16-U000 U Jaw Assembly

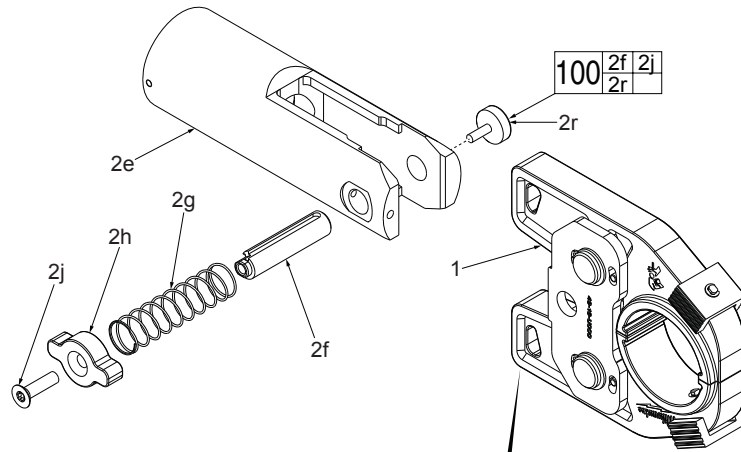


FIG.	PART NO.	DESCRIPTION OF PART	NO. REQ.
1	49-16-U000	U-Jaw Assembly	(1)
2e	-----	Clevis	(1)
2f	44-60-0036	Lock Pin	(1)
2g	40-50-0019	Lock Pin Spring	(1)
2h	31-12-0018	Lock Pin Cap	(1)
2j	06-82-0050	Clevis Pin Cap Screw T-25	(1)
2r	06-87-0010	Knurled Thumb Screw	(1)
80	-----	U-Jaw	(2)
81	-----	U-Jaw Die Pin	(2)
82	-----	U-Jaw Die Spring	(2)
83	-----	U-Jaw Release Tab	(2)
84	-----	C-Clip	(2)
85	44-86-0026	Retaining Ring	(4)
86	-----	U-Jaw Side Plate	(2)
87	-----	Extension Spring	(1)
88	-----	Translation Pin	(1)
89	-----	Stop Pin	(4)
90	-----	Pivot Pin	(2)
91	-----	Jaw Shim - 0.15	(4)
92	-----	Jaw Shim - 0.25	(4)
93	44-60-0024	U-Jaw Die Pin Kit	(1)
100	44-60-0038	Clevis Pin Upgrade Kit	(1)

