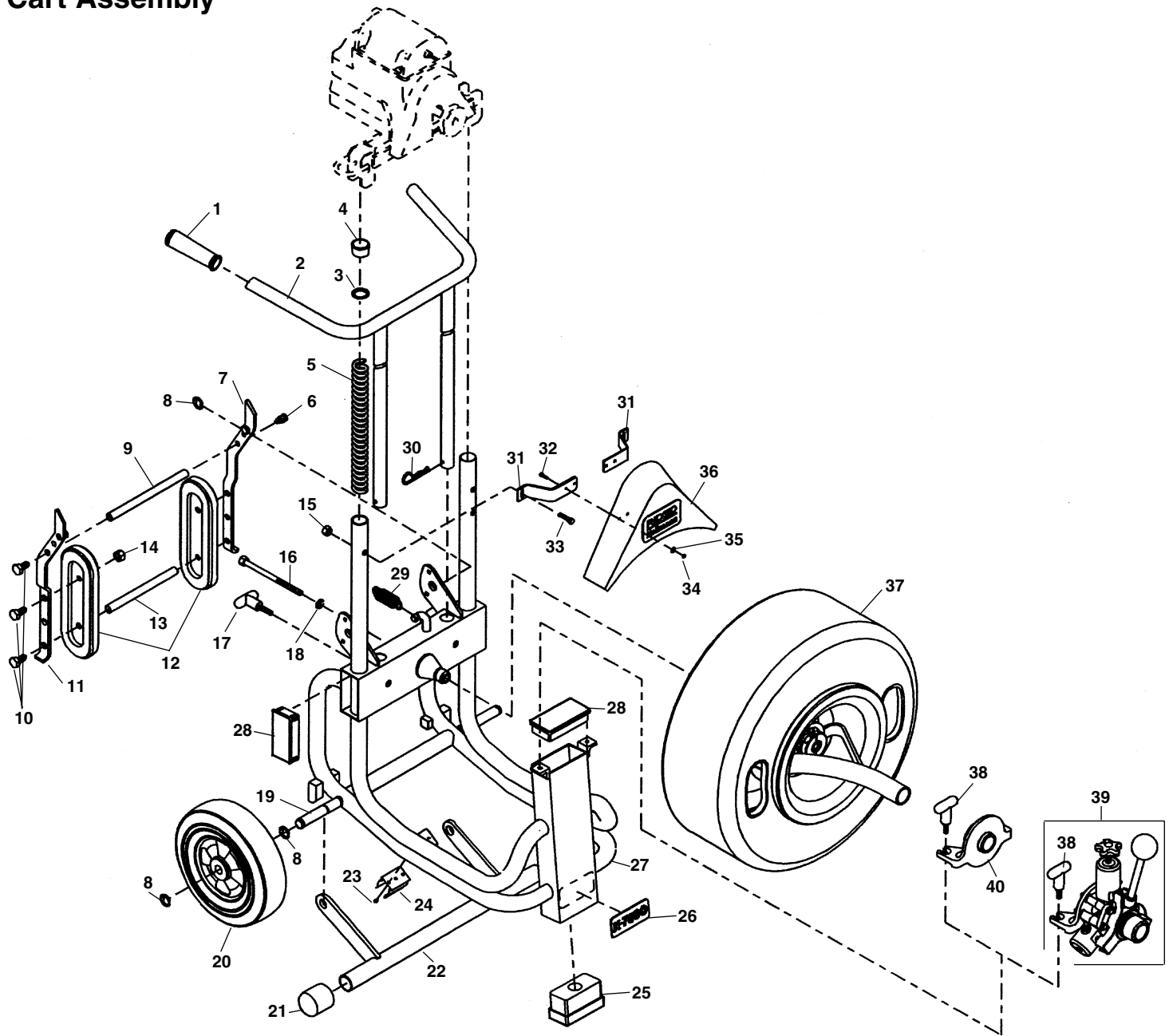


**Cart Assembly**



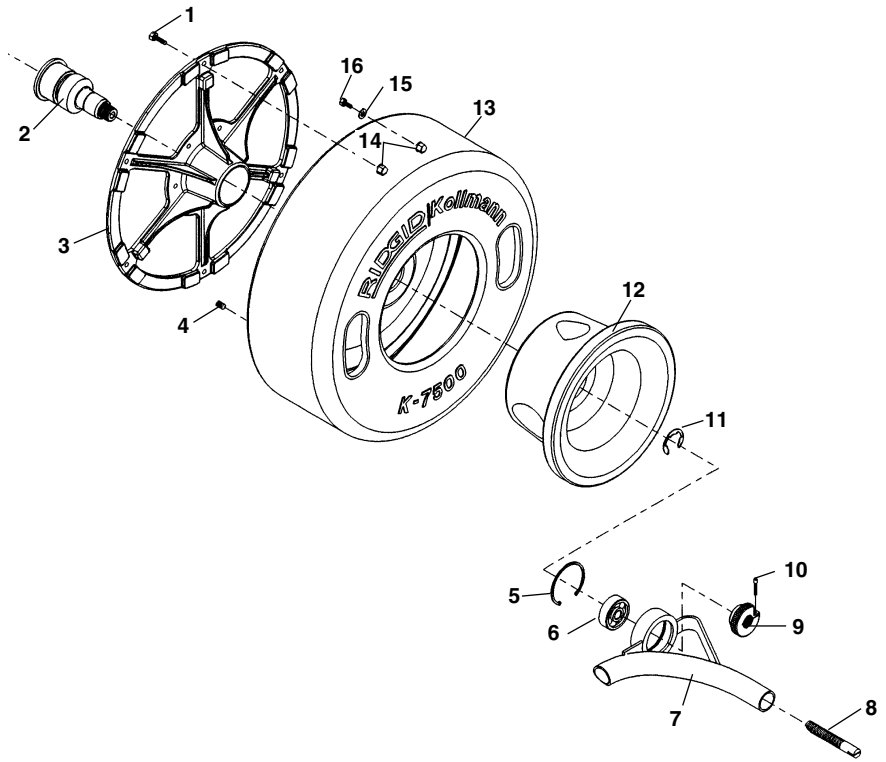
**NOTE: Order parts by Catalog Number only.  
DO NOT order by Reference Number.**

Ref. No.	Catalog No.	Description	Ref. No.	Catalog No.	Description	Ref. No.	Catalog No.	Description
1	60827	Hand Grips (2)	15	69010	Nut 1/4" - 20 (2)	29	60667	Spring
2	60587	Handle	16	60617	Bolt 1/2" - 13 x 6"	30	60677	Cotter Hairpin (2)
3	61472	Washer	17	60622	Mounting Knob (2)	31	43967	Guard Bracket (2)
4	60422	Cap Plug (2)	18	43942	Lock Washer 1/2"	32	43962	Screws #10 - 24 x 3/4" (8)
5	43957	Compression Spring	19	60627	Axle	33	43972	Carriage Bolt (2)
6	59510	Plunger Pin	20	23602	Wheel (2)	34	87970	Hex Nut #10 - 24 (4)
7	60592	Right Pivot Arm	21	23607	End Cap (2)	35	61310	Lock Washer #10 (4)
8	60050	Retaining Ring (8)	22	60632	Stabilizer	36	44027	Belt Guard
9	60597	Tie-Spring Bar	23	60637	Self-Tap Screw #6 - 32 (2)	37	61107	Drum Assembly w/5/8" Pigtail
10	60020	Hex Bolt 1/2" - 13 x 1 1/4" (6)	24	60642	Spring Clip		60042	Drum Assembly w/3/4" Pigtail
11	60602	Left Pivot Arm	25	60647	Rest Pad	38	60672	Assembly Knob (2)
12	60607	Stairclimber (2)	26	60652	Model Plate	39	60032	AUTOFEED® Assembly
13	60612	Stairclimber Bar	27	60657	Frame	40	61227	Manual Feed Assembly
14	78005	Nut 1/2" - 13 (2)	28	60662	Cap Plug			

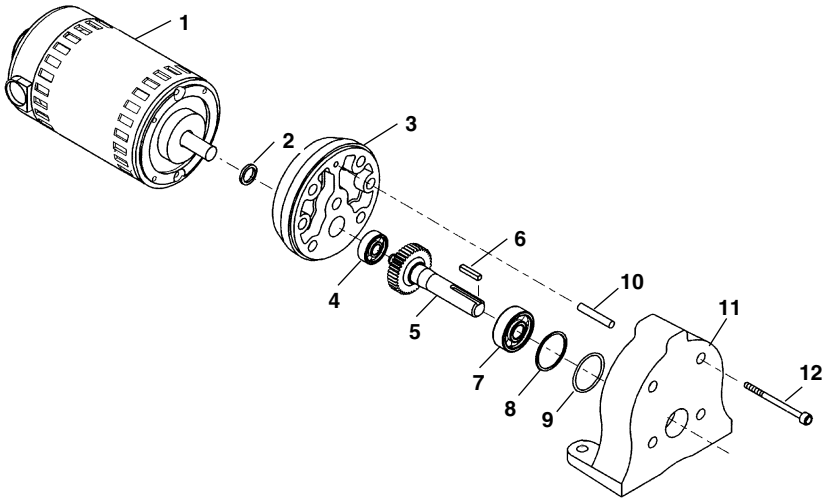
## Drum Assembly

**NOTE: Order parts by Catalog Number only.  
DO NOT order by Reference Number.**

Ref. No.	Catalog No.	Description
—	61107	Drum Assembly, w/5/8" Pigtail
—	60042	Drum Assembly w/3/4" Pigtail
1	44590	Bolt 5/16" - 18 x 1" (9)
2	60537	Drum Shaft
3	60547	Drum Support
4	60552	Drain Plug
5	60567	Retaining Ring
6	50802	Bearing
7	60557	Guide Tube
8	44117	3/4" Pigtail
	44122	5/8" Pigtail
9	60562	Knurled Knob
10	40910	Screw
11	64042	Retaining Ring
12	60572	Inner Drum
13	60577	Outer Drum
14	27517	Lock Nut 5/16" - 18
15	35055	Washer
16	60515	Bolt 5/16" - 18 x 1 1/4"

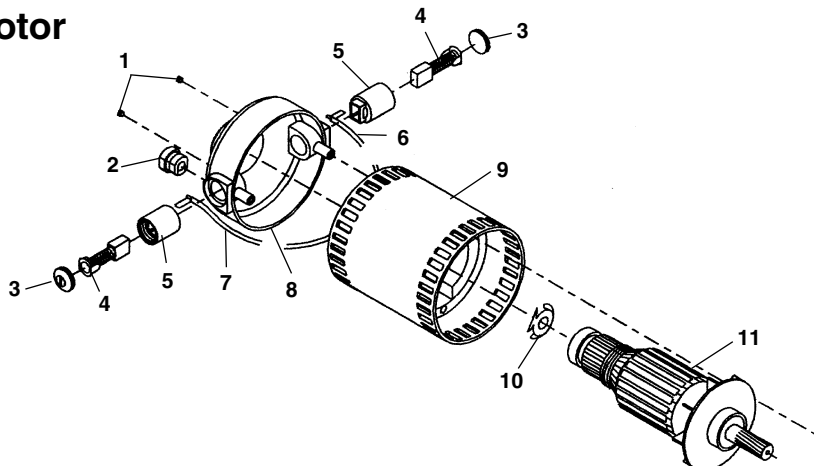


## Motor/Gearbox Assembly



Ref. No.	Catalog No.	Description
—	72587	Motor/Gearbox Assembly - 115V
—	72582	Motor/Gearbox Assembly - 230V
1	75622	Motor Only - 115V
	75627	Motor - 230V
2	60442	Seal
3	60437	Rear Gear Housing
4	44760	Bearing
5	60432	Main Drive Shaft w/Key
6	60457	Key
7	44565	Bearing
8	60427	Wave Spring
9	61837	O-Ring
10	60452	Dowel Pin 3/16" x 1 5/8"
11	60397	Front Gear Housing
12	60402	Screw #10-32 x 2 3/4"

## Motor

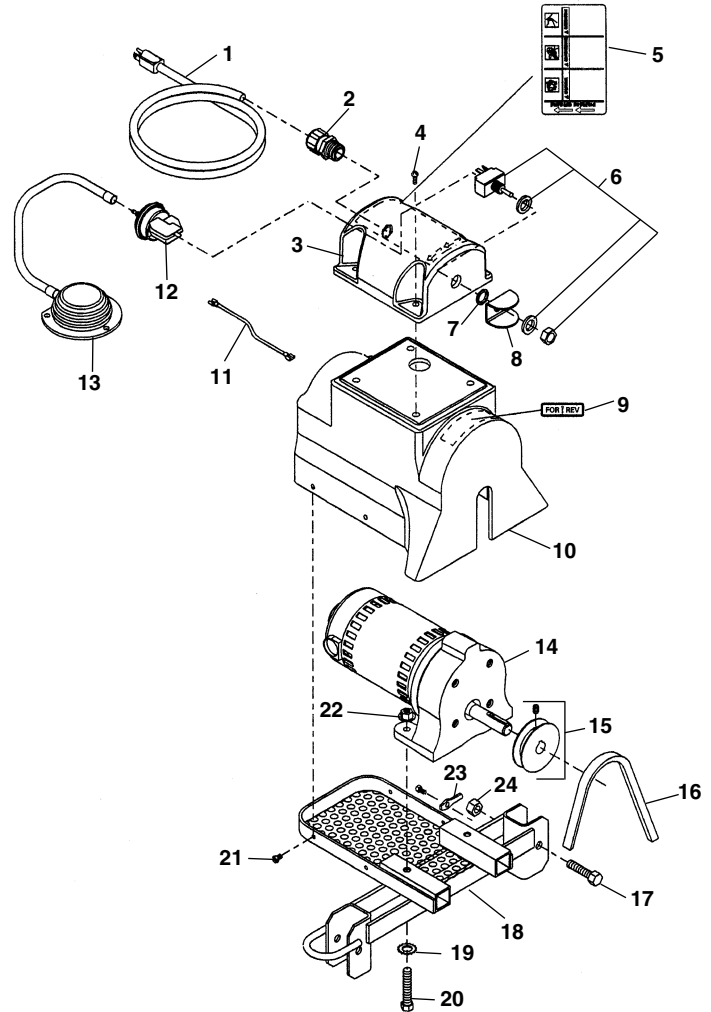


Ref. No.	Catalog No.	Description
—	75622	Motor - 115V
—	75627	Motor - 230V
1	60492	Brush Holder Screw
2	60497	Strain Relief
3	60467	Brush Cap Set
4	72482	Brush Set (115V)
	60472	Brush Set (230V)
5	60482	Brush Holder Set
6	60487	Black Brush Lead
7	60502	Red Brush Lead
8	60522	Rear Housing
9	60507	Field w/Housing (115V)
	72487	Field w/Housing (230V)
10	60512	Loading Spring
11	60517	Armature w/Bearing (115V)
	72492	Armature w/Bearing (230V)

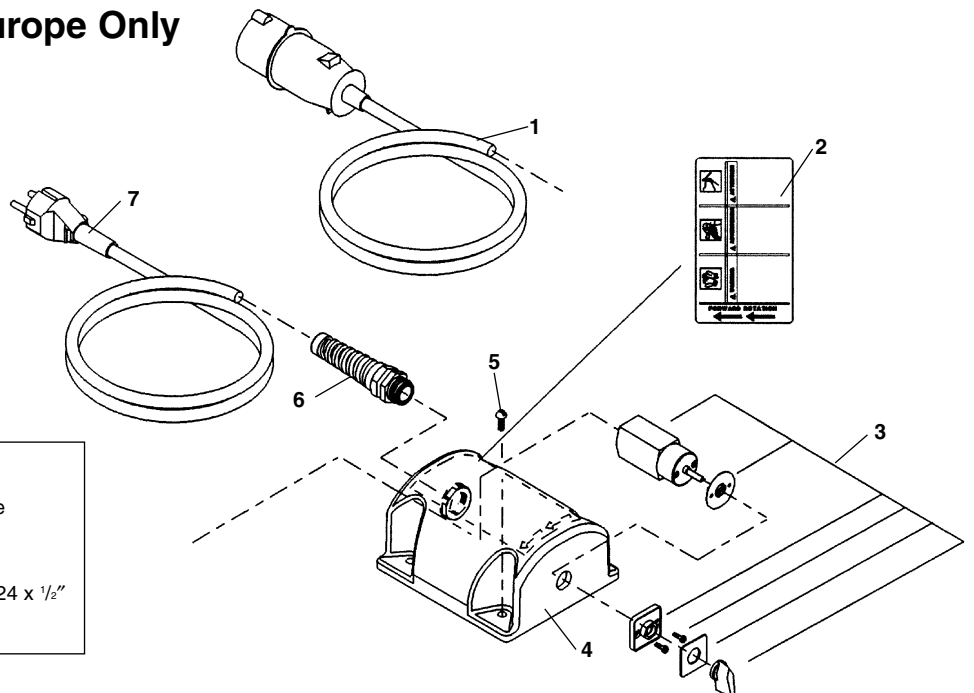
**Motor Table**

**NOTE: Order parts by Catalog Number only.  
DO NOT order by Reference Number.**

Ref. No.	Catalog No.	Description
1	50507	Line Cord w/GFI
2	96265	Strain Relief
3	60387	Switch Cover
4	43962	Screw #10 - 24 x 3/4" (8)
5	60767	Safety Sticker
6	56252	Switch
7	23512	Rubber Washer
8	61490	Switch Guard
9	23687	FOR/REV Label
10	60392	Motor Cover
11	61477	Connecting Wire
12	32992	Air Switch
13	60462	Foot Switch Assembly
14	72587	115V Motor/Gearbox Assembly
14	72582	230V Motor/Gearbox Assembly
15	60407	Pulley
16	60412	V-Belt
17	43992	Screw 3/8" - 16 x 2"
18	60417	Motor Table
19	61445	Lock Washer 5/16"
20	43757	Screw 5/16" - 18 x 2 (2)
21	36787	Screw #10 - 24 (5)
22	27517	Lock Nut 5/16" - 18 (18)
23	62857	Bonding Braid
24	79985	Lock Nut 3/8"



**Electrical Components Europe Only**



Ref. No.	Catalog No.	Description
1	45022	Line Cord 110V Europe
2	62837	Warning Label Europe
3	54157	Switch Rotary
4	62832	Switch Cap - Rotary
5	43962	Round Hd. Scr. #10 - 24 x 1/2"
6	54177	Strain Relief
7	39562	230V Line Cord